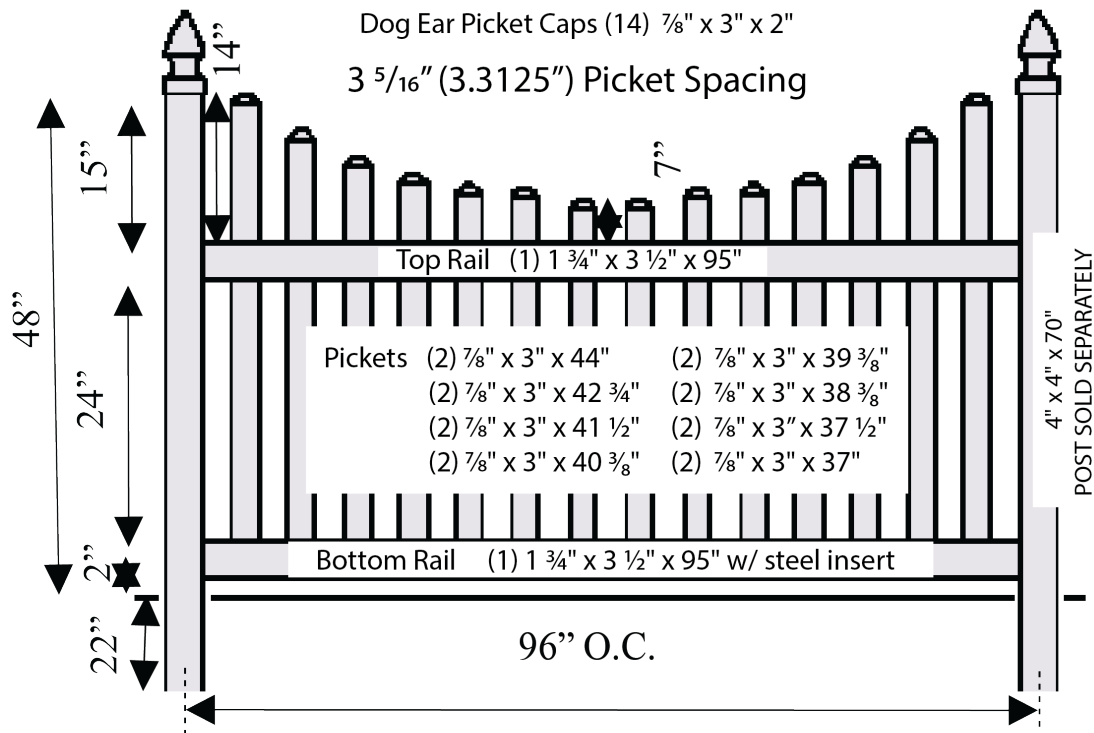


## TRADITIONAL VINYL FENCE INSTALLATION GUIDE

# Traditional Scallop Dog Ear Picket

## 4' High x 8' Wide

### DRT6



### A BEFORE YOU START, CHECK THE FOLLOWING

1. That you meet local codes for frontage locations, property lines, fence heights and any permit requirements.
2. **IMPORTANT**  
Call before you dig, **is the law** or visit [811.com](http://811.com). Check with your local utility companies to locate underground pipelines, power lines or cables.

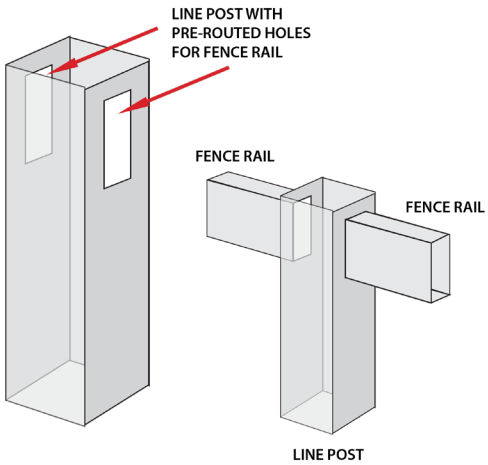
### B TOOLS NEEDED FOR INSTALLATION

- String and Marking Stakes
- Line Level
- Speed Square
- Safety Glasses
- #4 Rebar
- Miter Saw/Chop Saw (if cutting down rails, pickets, or posts)
- Concrete/Quickcrete® and Gravel Mix
- Post Hole Digger or Power Auger
- PVC Vinyl Cement
- Gloves
- Shovel

## 5 TYPES OF VINYL POST

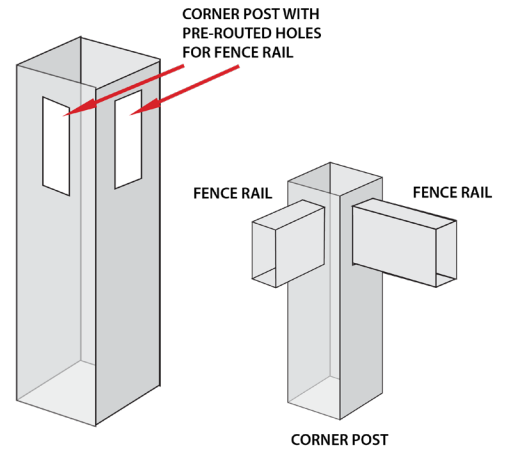
### LINE POST

Can be use where two sections of fence meet and are running in a straight line.



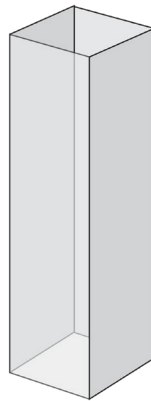
### CORNER POST

Can be use where a 90 degree corner.



### BLANK POST

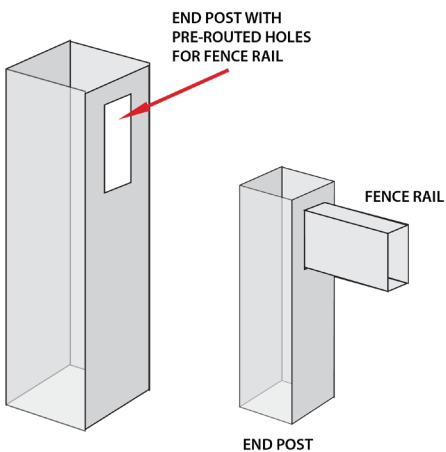
Can be use when no fence is to be attached,  
Example: Up next to a structure.



NO PRE-ROUTED HOLES FOR BLANK POST

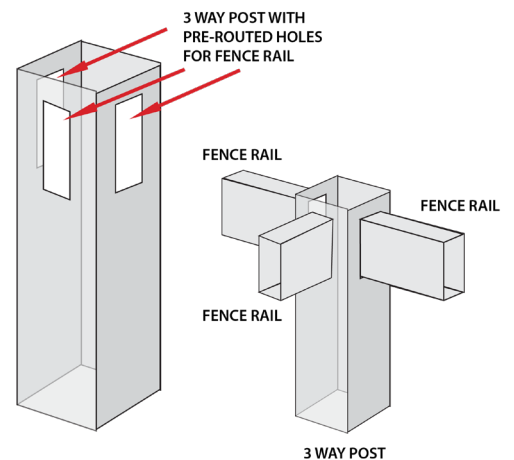
### END POST

Can be use where a fence line starts and ends including hinge and latch posts.



### 3 WAY POST

Can be use to create a 3-Way intersection of fence.



**EACH POST  
SOLD  
SEPERATELY**

## LAYOUT FENCE AND POSITION POSTS

### Step 1 PREPARE VINYL FENCE LAYOUT

Installation instructions for fence lay-out, setting posts, cap installation and clean up, are common for each fence style we offer.

#### IMPORTANT

Consider soil conditions, slopes, utility locations and property lines when positioning posts. In frost regions, dig the post holes deep enough to ensure concrete extends below the frost line.

Duramax Vinyl fences are designed for level or sloping terrain. For significant sloping terrain you will need to modify some of the posts and panel components. Lengthing out the routed holes in the posts and cutting the pickets at the angle of slope will help with assembly on uneven terrain.

1. Locate property lines.
2. Drive stakes at each end of property lines. Then stretch a string between each stake and extend the string 2' beyond property line (Fig. 1a).
3. Mark each end-corner post locations with a stake. For gate posts, refer to gate section for gate opening size.

#### IMPORTANT

Use the 3-4-5 rule as shown below to ensure for square corners (Fig. 1b).

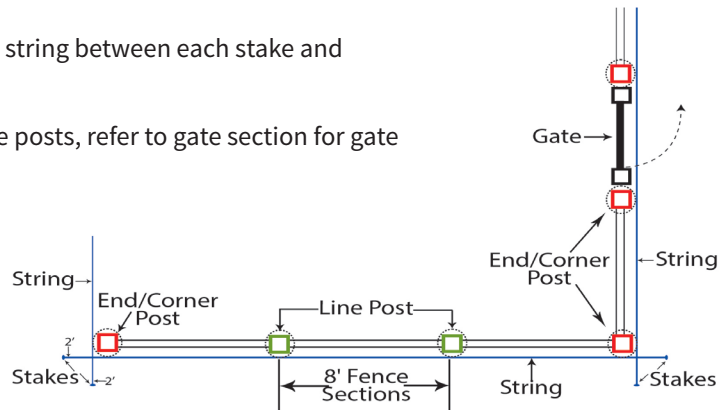


Fig. 1a

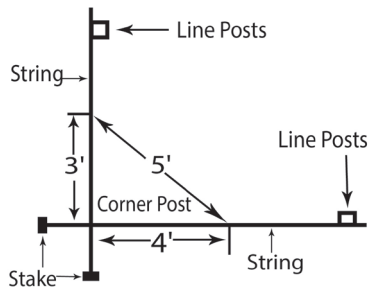


Fig. 1b

POST LOCATION table summarizes sizes and measurements for posts, fence sections and gates.

On Center Distance - refer to the center of one post to the center of adjacent post

Fence Style	Post Size	Post Span	Fence On Center Distance	Gate opening	Post
Privacy with Lattice	5"x5"	68"	73"	48"	53"
Privacy	5"x5"	68"	73"	48"	53"
Picket Fence	4"x4"	68"	72"	48"	52"
Ranch Rail	5"x5"	93"	98"	72"	77"

## LAYOUT FENCE AND POSITION POSTS

### Step 2 | SETTING VINYL FENCE POSTS

**IMPORTANT**

Post depth and width will be determined by local weather and soil conditions. In frost regions, dig the post holes deep enough to ensure concrete extends below the frost line. Please check the building code in your area specifies a frost line depth.

**SET END-CORNER POSTS**

1. Dig all End-Corner post holes first, 10" for 5"x5" post and 8" for 4"x4" in diameter and 24" deep (Fig. 2a).
2. Insert End-Corner Posts into holes and set them in concrete filling hole to 2" below ground level.
3. Make sure all posts are level and plumb.

**POST SETTING CHART**

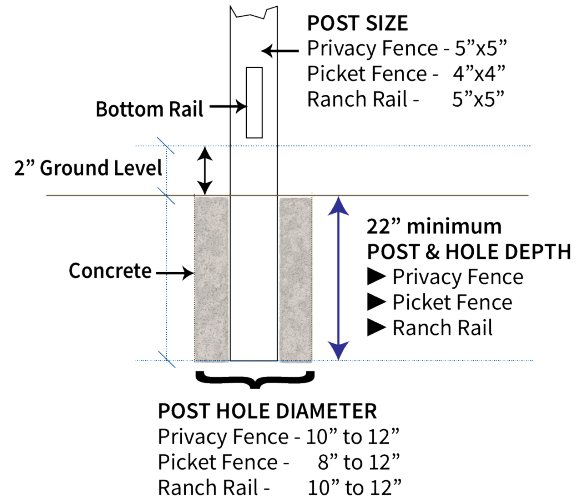


Fig.2a

4. Stake a string line across the top of the End-Corner posts to mark the desired height of the Line posts (Fig. 2b).
5. Now stake out the positions of the Line posts along the string line (Fig. 2b).

**IMPORTANT**

You will first need to determine the "post on center distance", the measurement from the center of one post to the center of the next.

Example for Privacy Fence: Section width = 90" Post size = 5" (5x5) Total "Post On Center distance" = 95"

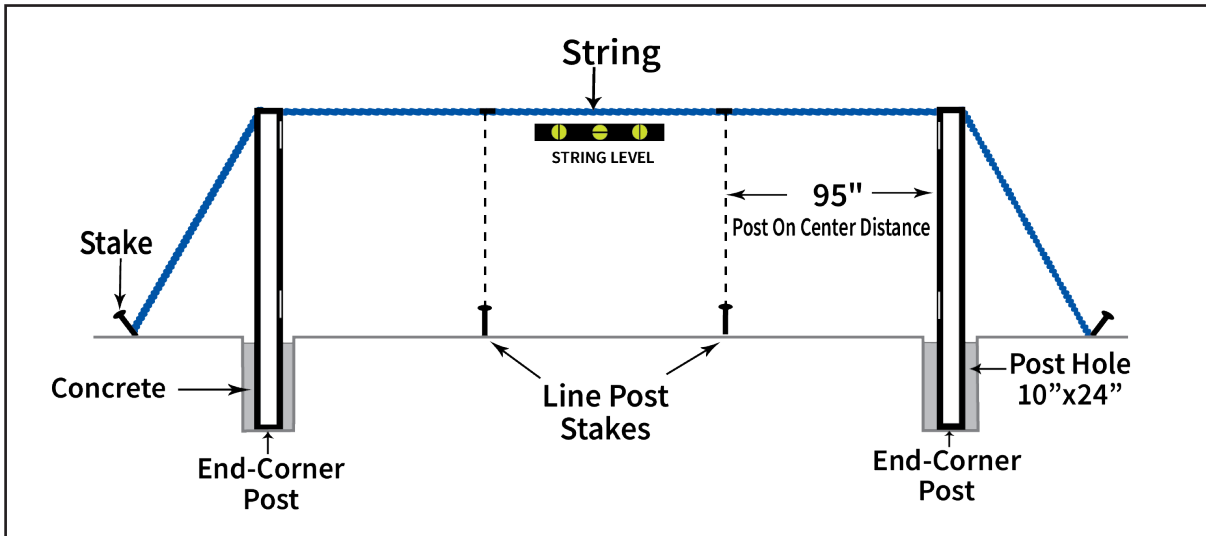


Fig.2b

## LAYOUT FENCE AND POSITION POSTS

### Step 3 FILL END-CORNER POSTS WITH RE-BAR & CONCRETE

Mix concrete according to manufacturers specifications. Place and hold the post while pouring concrete 6" at a time, tamping to eliminate air pockets. Leave enough space at the top of the concrete to allow sod to grow around the post. Set the correct post height, plumb and level each post.

**IMPORTANT**  
BEFORE FILLING GATE POSTS WITH CONCRETE, MAKE SURE THAT THE GATE HARDWARE IS INSTALLED FOLLOWING THE INSTRUCTIONS IN THE GATE SECTION.

Before concrete sets, site down the fence line and, if necessary, adjust posts. If posts are too high, place a wooden block across the top of the post and tap down with a rubber mallet. Allow post concrete to set 24 hours before installing fence sections.

For added strength End-Corner posts should be filled up to 2" from the top of the post with concrete and rebar.

1. Each end, corner or gate post takes 2 pieces of 1/2" diameter rebar cut 4" shorter than the post length located at opposing corners of post (Fig. 3a).

**IMPORTANT**  
Rebar should extend to the ground a minimum of 12".

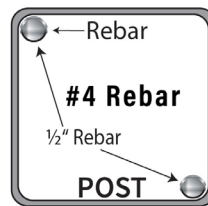


Fig.3a

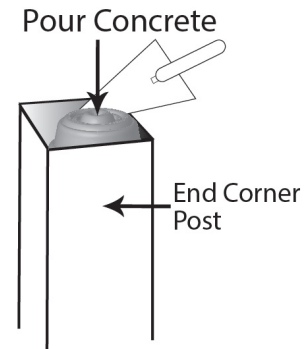


Fig.3b

2. Now fill the posts with concrete, tapping on the sides of the post to remove air-pockets in the concrete (Fig.3b).

3. Clean up excess concrete with water before it dries.

Concrete Requirements:

4x4 Line Posts = approx 100 lbs	4x4 End, Corner, Gate post = approx 160 lbs
5x5 Line Posts = approx 140 lbs	5x5 End, Corner, Gate post = approx 260 lbs

### STEP 4 POST CAP INSTALLATION

Apply a small amount of PVC glue in each corner of the post cap and insert the external post cap on top of the post by tapping lightly on top of the post cap until it securely fits the post top. Wipe off any pvc glue residue (Fig.4).

**NOTE:** Post Cap sold separately.

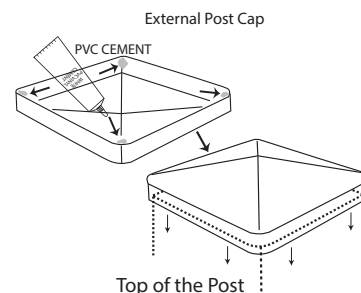


Fig.4

## ASSEMBLE AND INSTALL SECTIONS

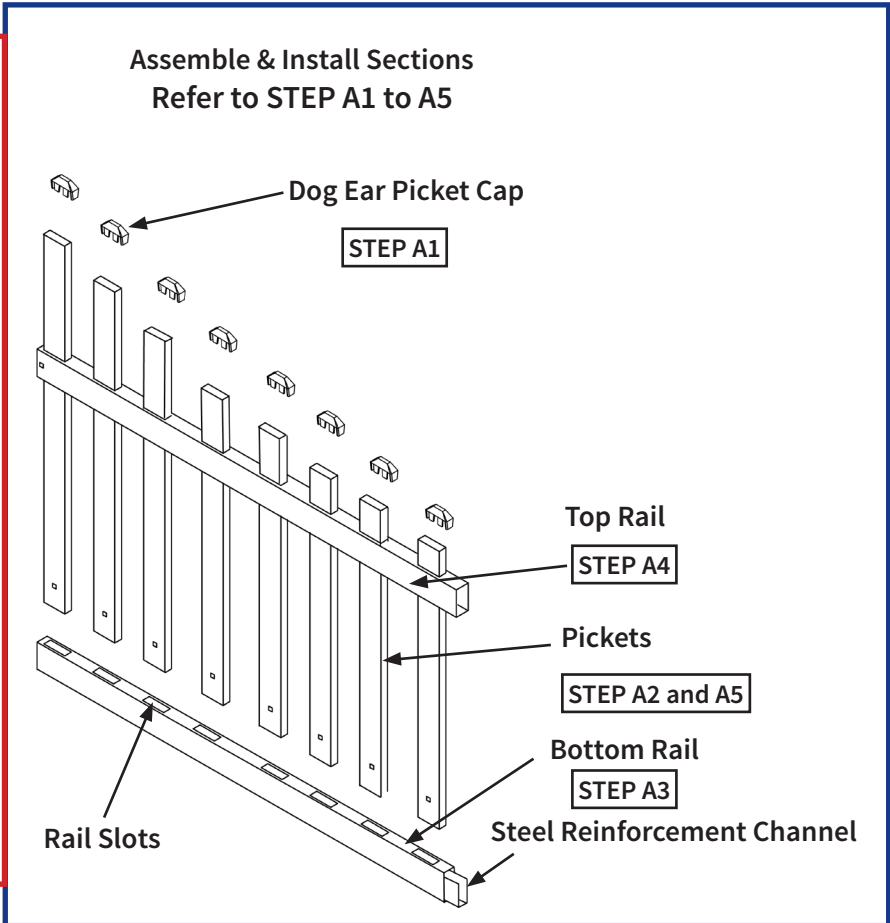
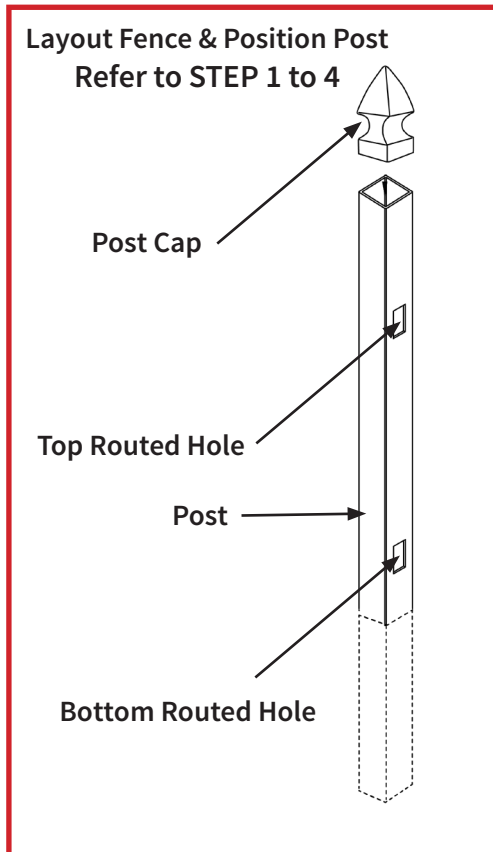
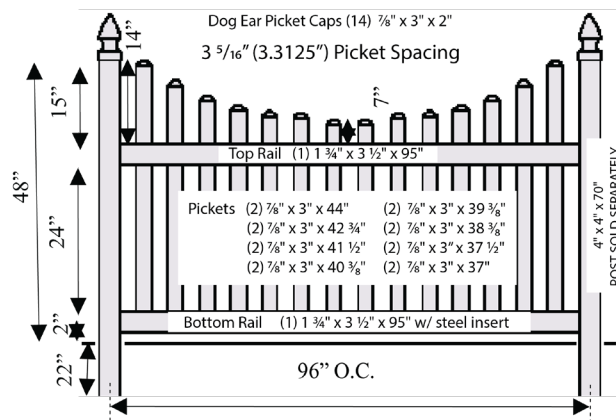
Having set your posts, you are now ready to assemble the fence sections for your specific Duramax Product Item Model as below.

**IMPORTANT**

Protect the finish of your fence during assembly by assembling on a dry, clean and smooth surface.

**NOTE:** Rail Style, Picket Panels Style and number of pickets panels may differ depending on the Duramax Product Item Model.  
Sold Separately: Post, Post Caps, End Channel

### Traditional Scallop Dog Ear Picket 4' High x 8' Wide DRT6



## ASSEMBLE AND INSTALL SECTIONS

### STEP A1: INSTALL PICKET DOG EAR CAPS

Apply a small amount of PVC glue to the inside edges of then insert on the un-notched side of the picket by tapping lightly on top of the cap until a tight fit between the cap and picket. Wipe off any pvc glue residue (Fig.A1).

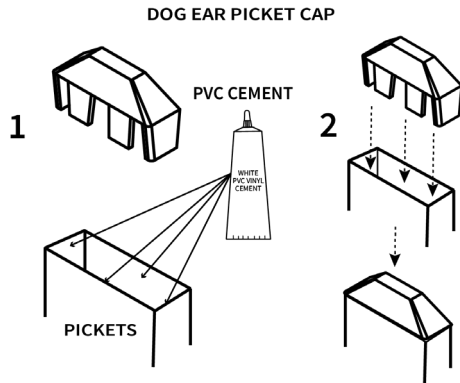


Fig.A1

### STEP A2: LAYOUT PICKETS

Layout on a clean flat surface all the pickets as shown in (Fig.A2).

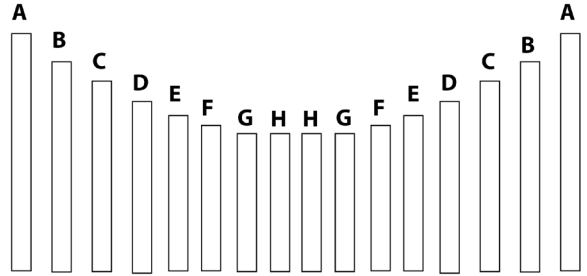


Fig.A2

Pickets	A (2) 7/8" x 3" x 44"	E (2) 7/8" x 3" x 39 3/8"
	B (2) 7/8" x 3" x 42 3/4"	F (2) 7/8" x 3" x 38 3/8"
	C (2) 7/8" x 3" x 41 1/2"	G (2) 7/8" x 3" x 37 1/2"
	D (2) 7/8" x 3" x 40 3/8"	H (2) 7/8" x 3" x 37"

### STEP A3: INSTALL BOTTOM RAIL

Steel Reinforcement Channel (AS AN OPTIONAL ITEM ON CERTAIN FENCING PRODUCT ITEM MODEL) need to be inserted first to the rail before installing the bottom rail (Fig. A2B).

Slide the bottom rail (with the steel insert)(A), slots side up into the bottom hole of the post. Starting at end or corner place the next post into the next hole. Now slide the next Bottom Rail into the bottom hole of the next post (Fig. A2). Repeat these steps until all rails are inserted (B)..

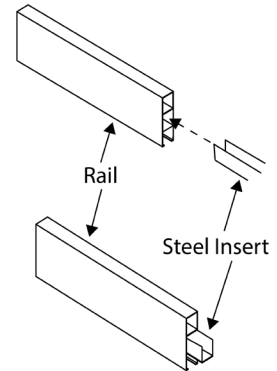


Fig.A2B

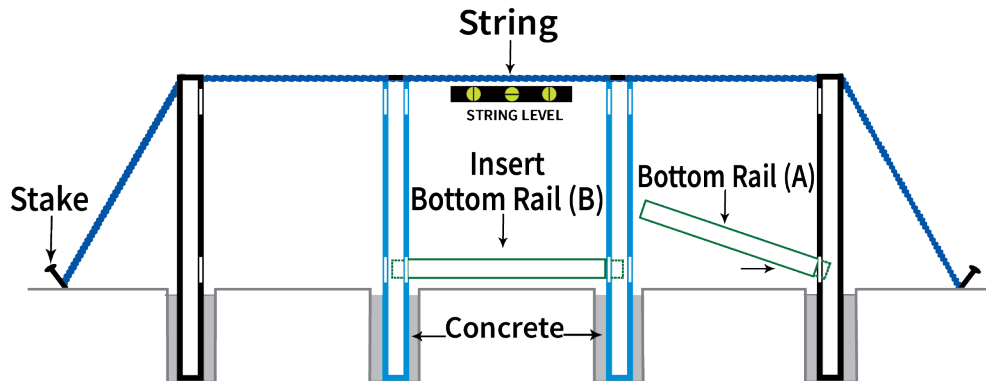


Fig.A2

## ASSEMBLE AND INSTALL SECTIONS

### STEP A4: INSTALLING TOP RAIL

Slide top-rail into post top routed hole on one side then slide to the adjacent top hole post routed hole (Fig. A3).

**NOTE:** The top-rail will have routed holes on the top and bottom of the rail. The larger routed holes should face towards the ground (Fig. A3b).

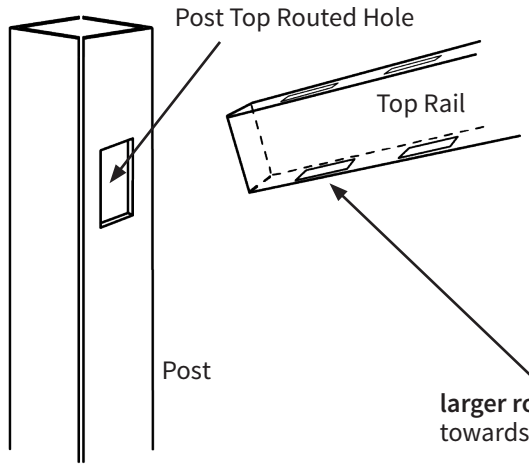


Fig.A3

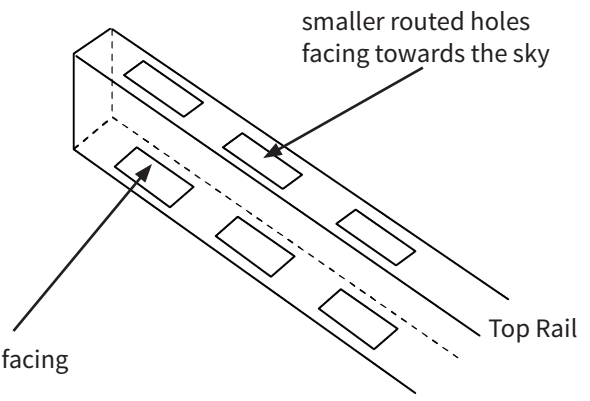


Fig.A3b

### STEP A5: INSERT PICKETS

Starting on one end, insert picket A with tabs all facing in the same direction down through the top-rail and into bottom rail routed holes. The picket tab will securely lock the picket to the bottom rail when in place together. Continue across the panel inserting the remaining pickets B to H. (Fig. A4).

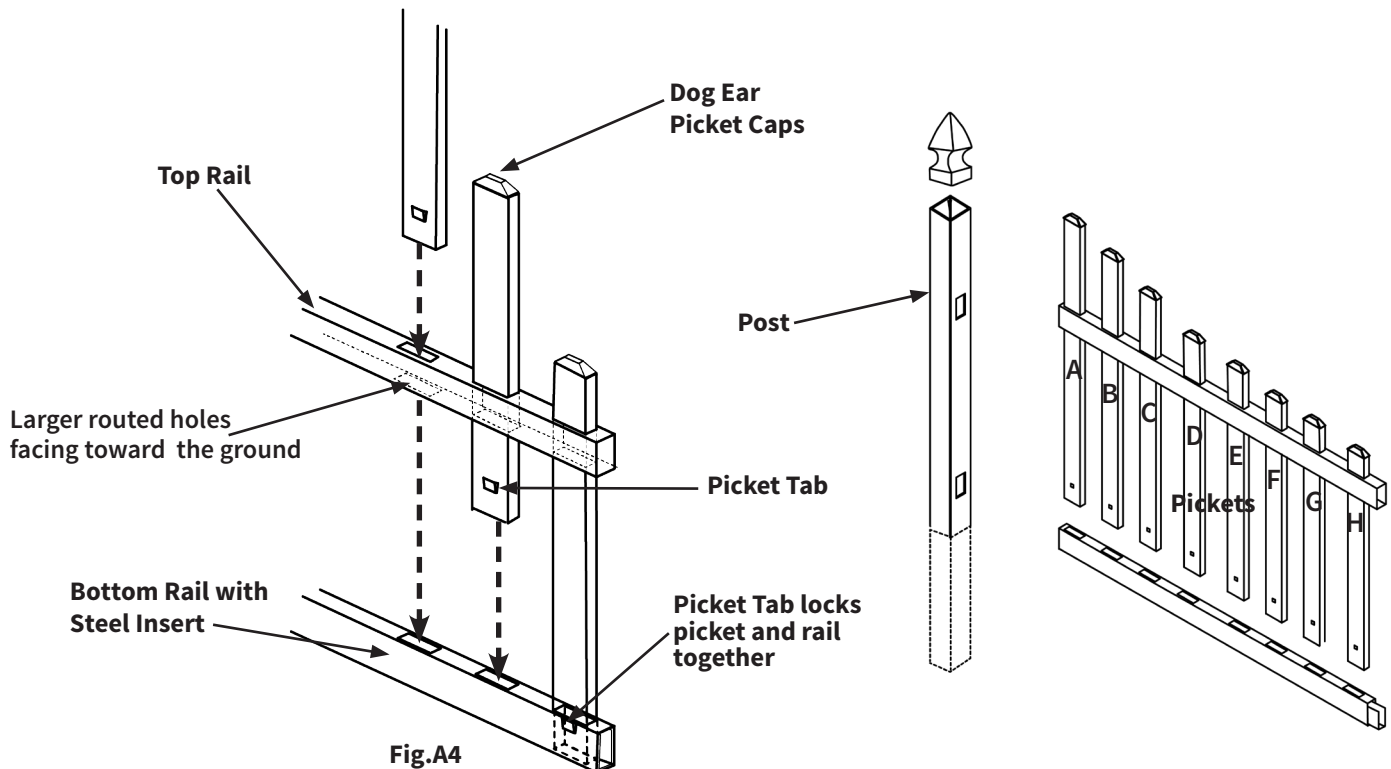


Fig.A4