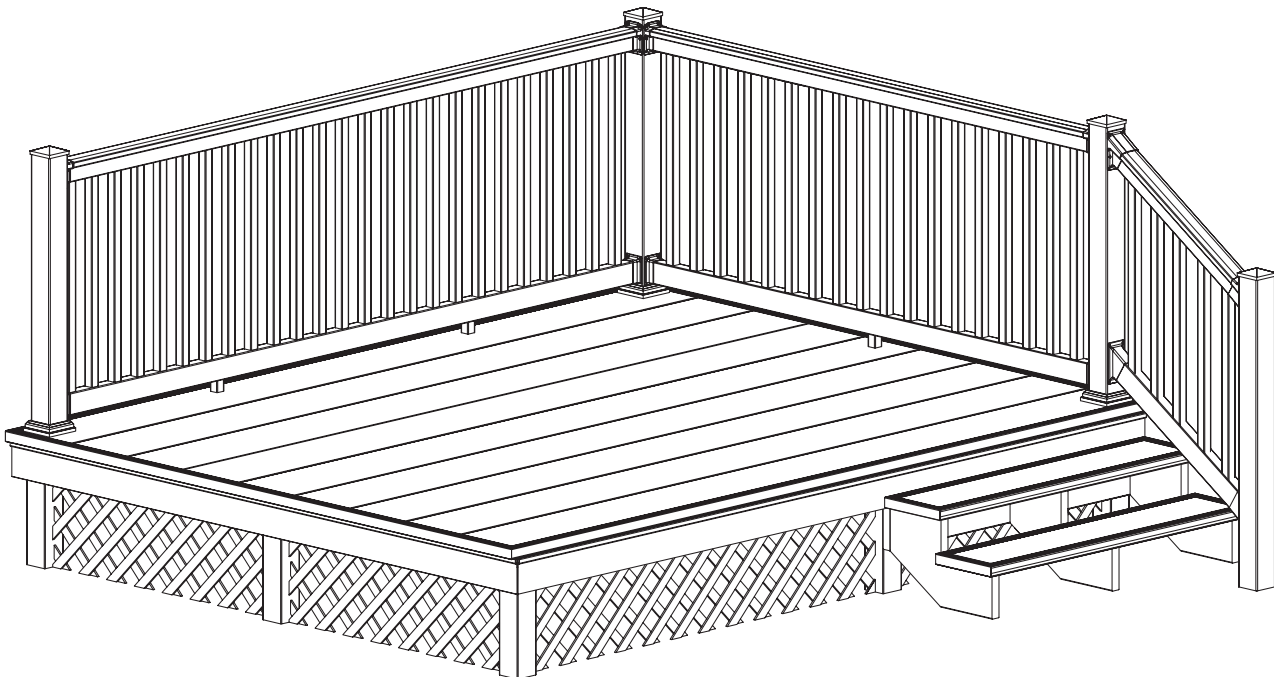
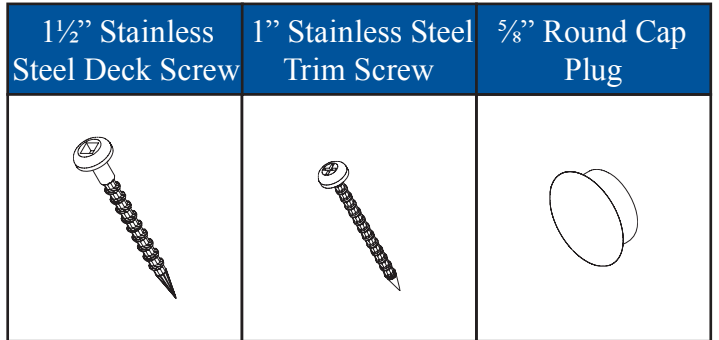
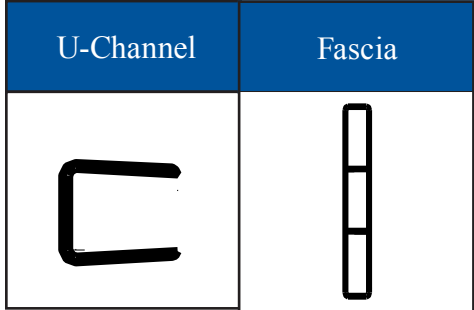
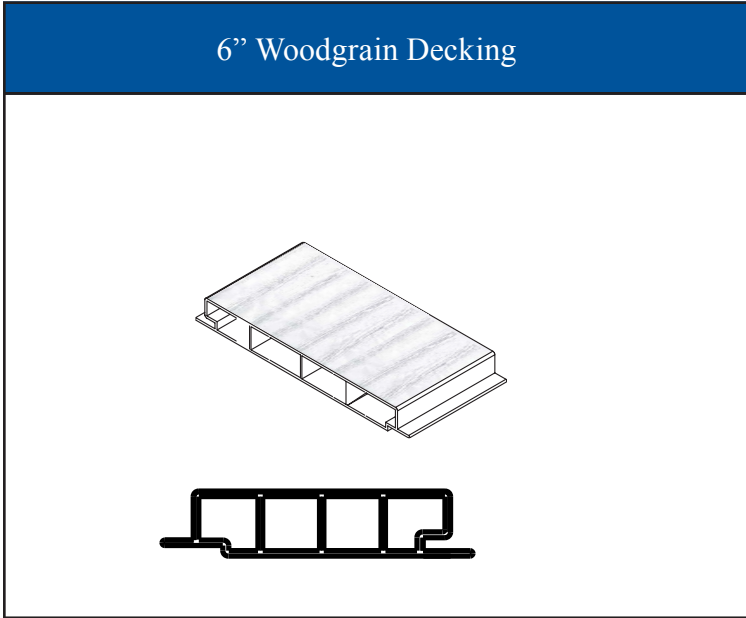


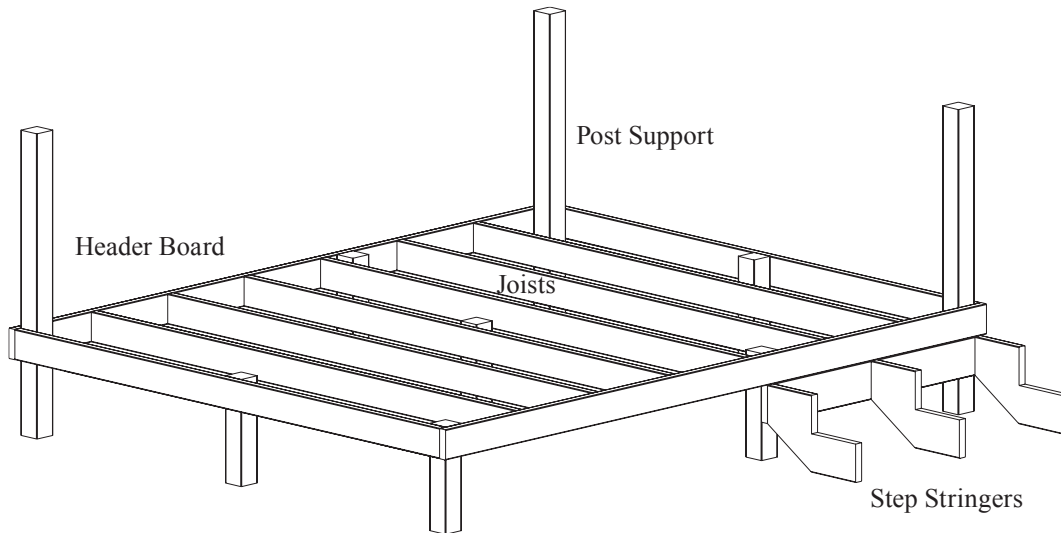
# 6” DECKING INSTALLATION INSTRUCTIONS

# 6" Deck Board

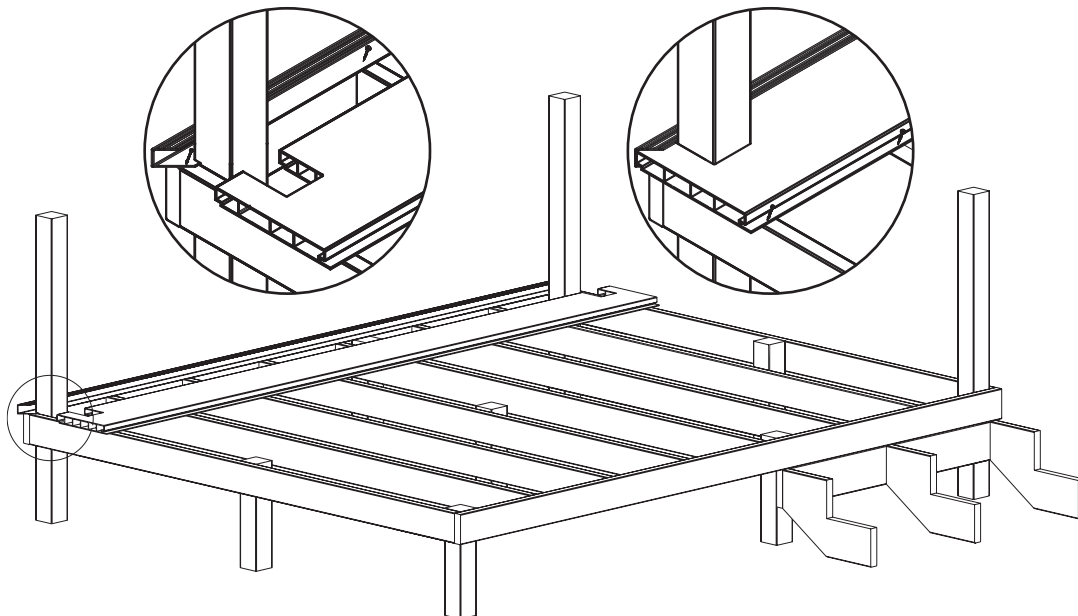


# 6" Deck Assembly Instructions

**NOTE:** Proper planning of the deck layout is essential for ease of installation of deck boards and deck components. Thoroughly read the following deck assembly instructions and obtain all necessary building permits prior to starting your installation.

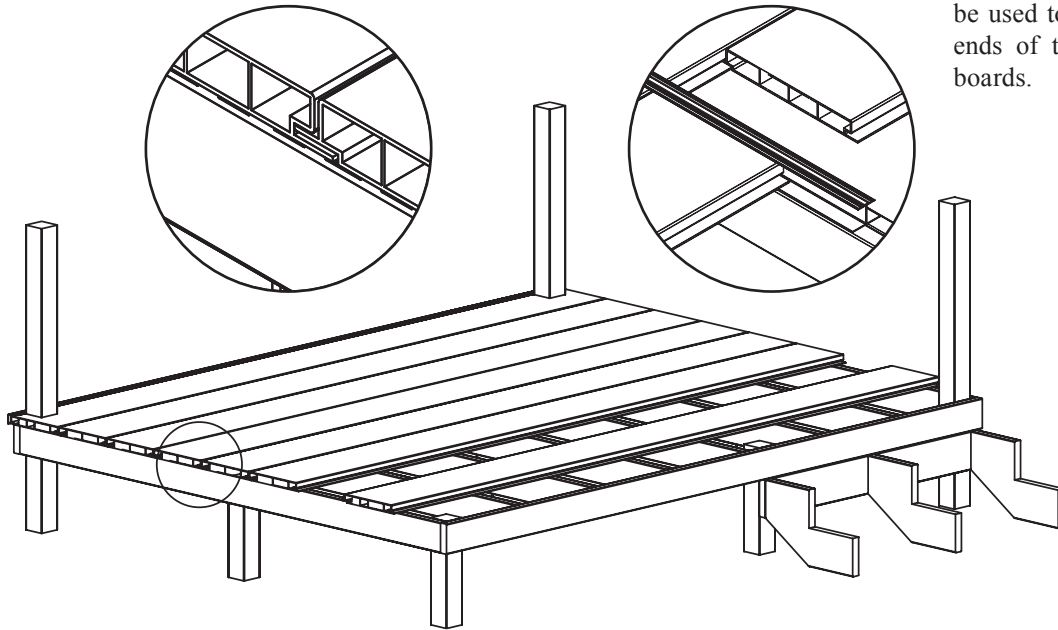


**STEP 1** - Frame the wood substructure and secure the post supports. Frame the wood substructure in compliance with local building codes and ensure that the interfacing joist structure provides for deck board attachment on centers not exceeding 24". Prior to installing the PVC deck boards, fasten the railing post supports to the wood substructure. (Do not mount the post supports on top of the PVC decking.) When using railing kits, do not exceed 124" on center for railing post supports. Please refer to the railing installation instruction manual for suggested railing post support attachment options.

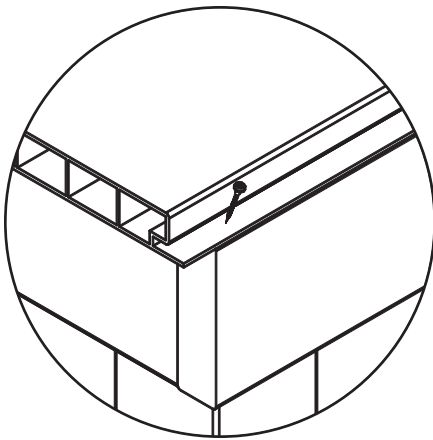


**STEP 2** - Installation of the U-channels and the first deck board. Measure the wood header boards where the U-channels will be fastened or any outer band board secured to the structure preventing the U-channel from being installed once the deck boards are fastened. Add any additional measurements for the overhang of the deck boards on the exposed sides of the deck. (Note: It is NO T recommended that the deck boards overhang more than 2½" on any side of the deck. Minimal or no overhang is suggested on any side of the deck that will have stairs attached to avoid creating a 'trip' hazard.) If overhanging or extending the PVC deck boards beyond the outside joist band, cut and miter the appropriate angle on the ends of the U-channel. Using the U-channel as a starter strip, attach the U-channel through the bottom inside edge of the U-channel into the header board using the stainless steel deck screws. Using a jigsaw, cut away the protruding male end of the deck board and any portion of the deck board being installed over or around the post supports. Insert the deck board into the U-channel. Making sure the deck board is square to the framed structure; fasten the deck board down at every joist on the substructure using stainless steel deck screws. (Care should be given to ensure the deck screws are not overdriven. The deck screw should just rest flush on the screw flange securing the deck board to the wood joist.)

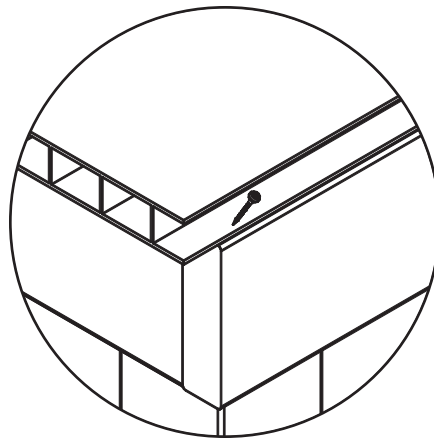
NOTE: 2 U-channels will be used to conceal the butt ends of the installed deck boards.



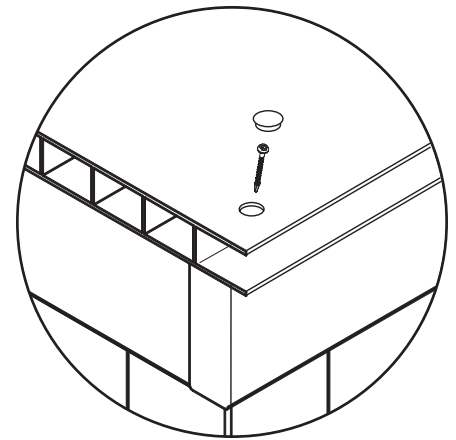
**STEP 3** - Installation of the remaining deck boards. Interlock the second deck board by inserting the male interlock of the second deck board into the female end of the first deck board. Fasten this deck board and successive deck boards down at every wood joist. (Care should be taken to keep the deck boards square and parallel throughout the installation.) Continue fastening the deck boards in the same manner until the last deck board. Use a jigsaw to cut away any portion of the deck boards being installed over or around the railing post supports.



Option 1.

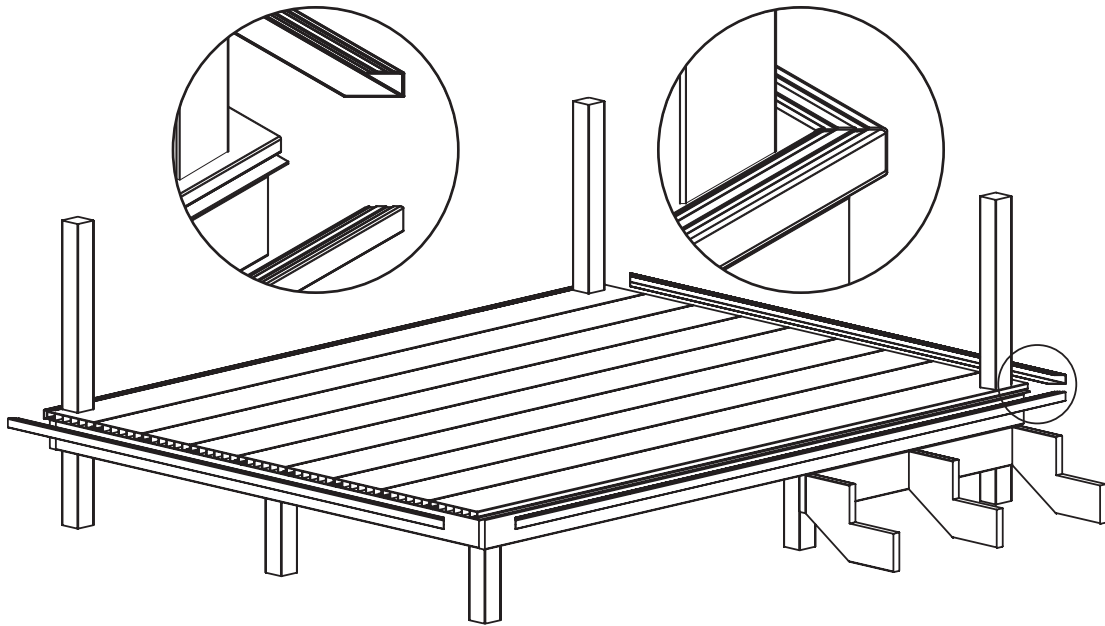


Option 2.

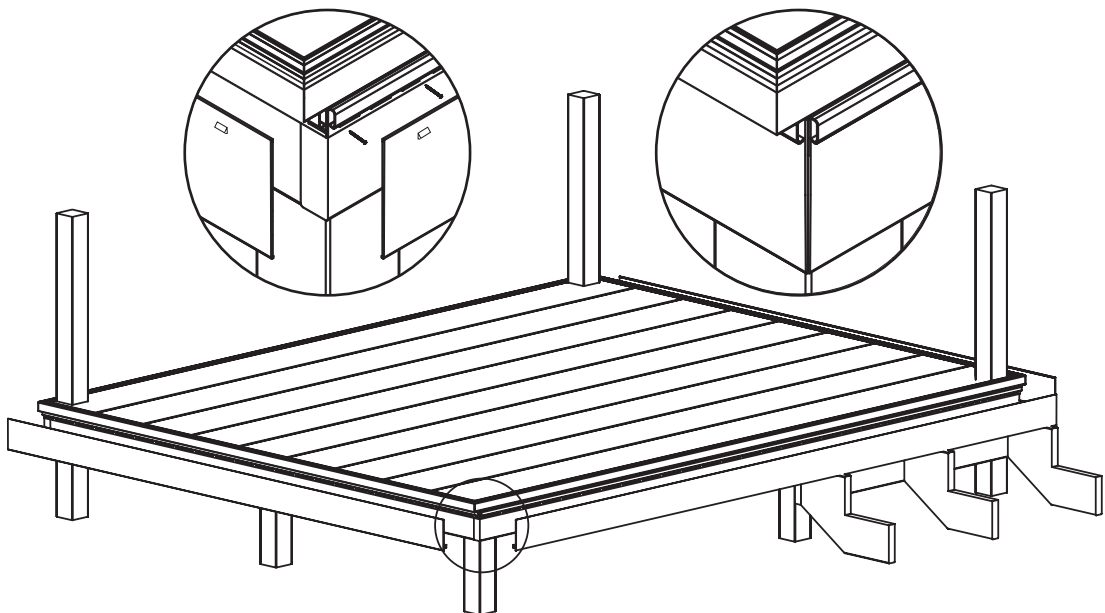


Option 3.

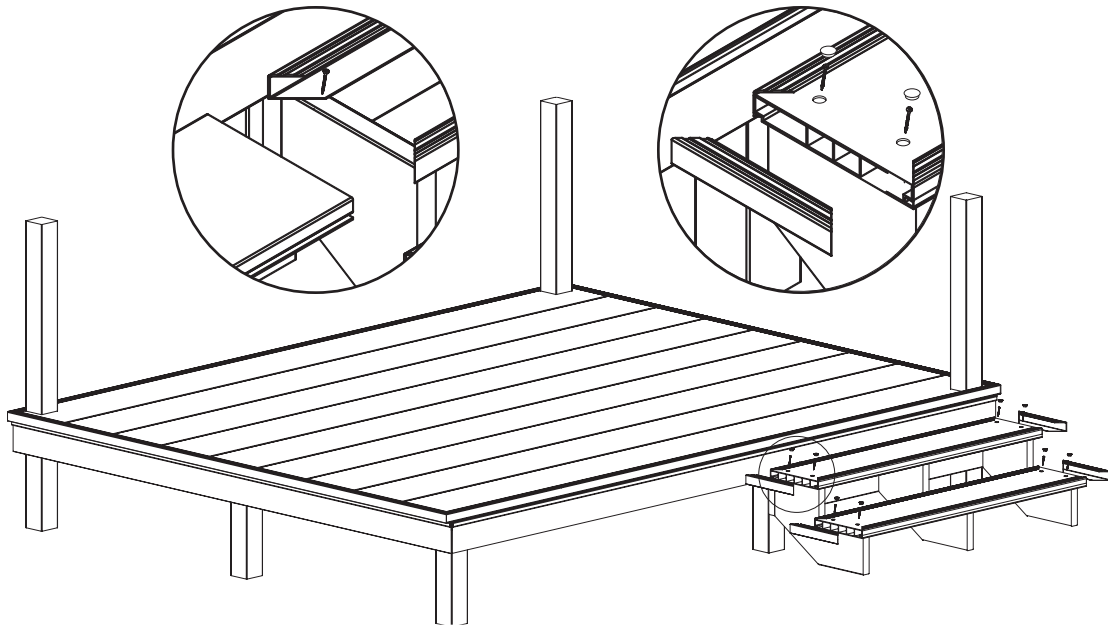
**STEP 4** - Securing the last deck board. Different fastening options exist for the last deck board. Decide on your fastening option prior to measuring or the cutting of the last deck board. Option 1 - If the last deck board fits exactly with the end of the deck, fasten the last deck board using the stainless steel deck screws through the deck flange. Finish the edge of the deck board using the U-channel. Option 2 - If no overhang is planned and the last deck board extends past the outer edge, cut the deck board to the exact remaining measurement. Fasten the deck board to the outer wood band using the stainless steel deck screws. Finish the edge of the deck board using a U-channel. Option 3 - If an overhang is planned, cut the last deck board to the desired width. Drill a  $\frac{5}{8}$ " hole in the top surface of the deck board close to the outer edge of the wood band board. Fasten the last deck board to the outer wood band using stainless steel deck screws. Cap the hole with a  $\frac{5}{8}$ " round cap plug and finish the cut edge of the deck board with a U-channel. (Note: If a U-channel is used it may need to be trimmed on the bottom lip so the channel can be fit into place around the screws used to fasten down the deck boards.)



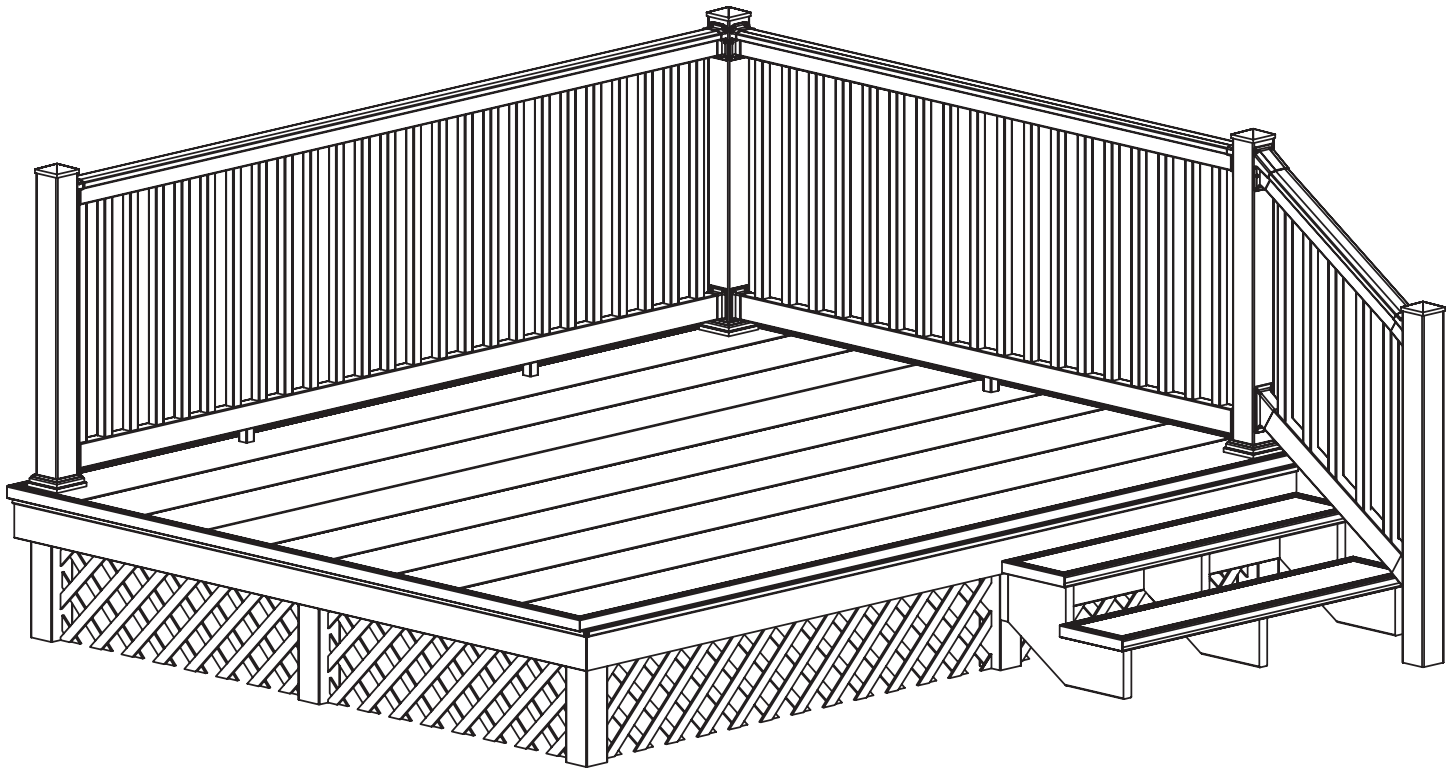
**STEP 5** - Finishing the ends of the deck boards. Finish the ends of the installed deck boards using one of two channel accessories. When overhanging deck boards beyond the outer wood bands, the U-channel is used to cover the exposed ends of the deck boards. When there is no overhang, a U-channel may be used but it may need to be trimmed on the bottom lip so the channel can fit into place around the screws used to fasten down the deck boards.) Cut and miter the ends of the channels at the appropriate angle. Fasten the U-channels to the ends of the deck boards using either PVC adhesive and/or deck trim screws every 12" - 16" to the underside of the deck boards.



**STEP 6** - Fastening the undersill trim and the deck fascia. The deck fascia is used to cover the outer wood band boards. the deck fascia is available in 6" widths. Cut the deck fascia to the appropriate width and drill elongated screw holes every 12"-16" into the top of the fascia. Fasten the fascia through the screw holes using the deck trim screws. Do not over tighten the trim screws.



**STEP 7** - Using deck boards for the step treads. Measure the distance across the top of the step stringers allowing for any desired overhang on the sides. Cut and miter the U-channels at their measured length and fasten them through the bottom inside edge to the top of the step stringers using the stainless steel deck screws. Cut off both flange ends of the deck boards and slide into the secured U-channels. Drill (2)  $\frac{5}{8}$ " holes in the top surface of the deck boards close to the outer edge of the two outside step stringers. Fasten the step board to the step stringer using stainless steel deck screws. Cap the hole with a  $\frac{5}{8}$ " round cap plug and finish the ends of the step tread by applying PVC adhesive to the inside of the mitered U-channels and place into position. (Note: If no overhang is used, the Uchannel will cover the  $\frac{5}{8}$ " drill holes eliminating the need for the round cap plugs. In this instance, the U-channel will need to be trimmed on the bottom lip so the channel can be fit into place around the screws used to fasten down the step tread.)



**STEP 8** - Sleeve the post supports and install the vinyl railing around the deck. Once the vinyl deck boards and components are securely fastened, sleeve the deck post supports with vinyl posts and install vinyl railings in accordance to the railing installation instruction manual.

For additional decking assembly information or to inquire about other Products, please contact our Customer Service Dept.