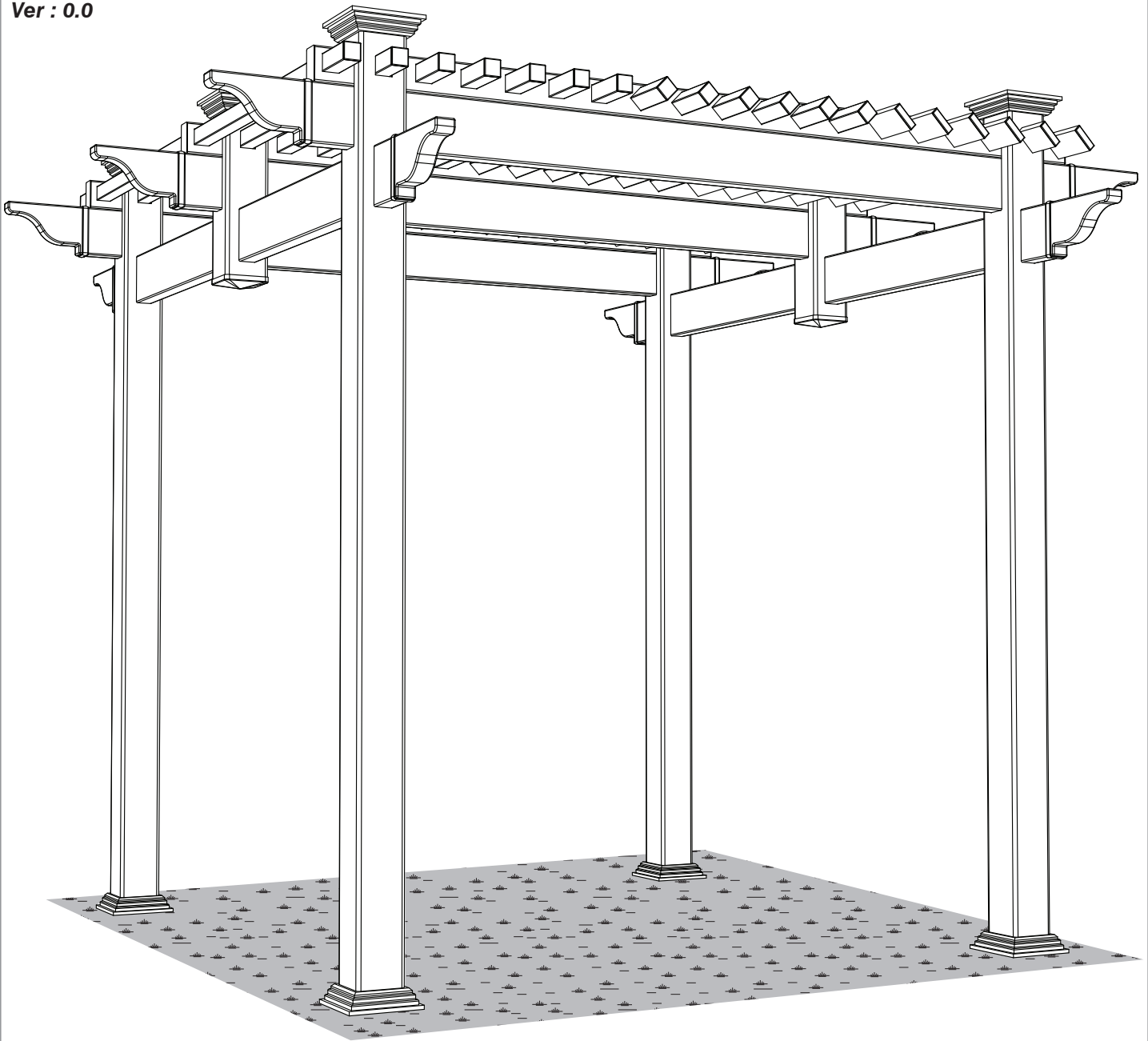


Vinyl Patio Cover

OWNER'S MANUAL /
Instructions for Assembly
Size 5 Ft x 5 Ft / 1.5 m x 1.5 m (Approx.)

Model # -----

Ver : 0.0



Building Dimensions

Approximate Size	Area	Volume	Base Dimension		Exterior Dimension		Color	
			inch	cm	inch	cm		
5 Ft x 5 Ft	48 5/8 Sq. Ft	235 1/8 Cu.Ft	Width	83 3/4	212.7	113 1/4	287.9	White
			Depth	83 3/4	212.7	113 1/4	287.9	
			Height			96 7/8	246	
1.5 m x 1.5 m	4.5 Sq.m	6.6 Cu.m						



Customer Service Hotline
(800) 483-4674

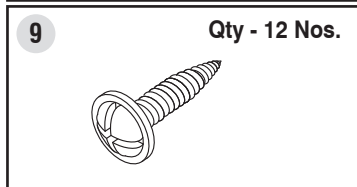
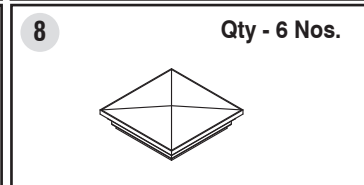
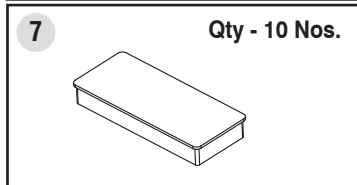
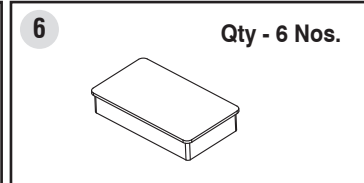
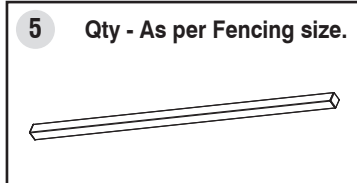
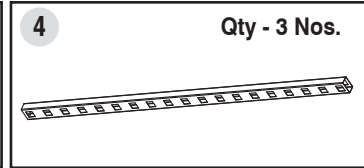
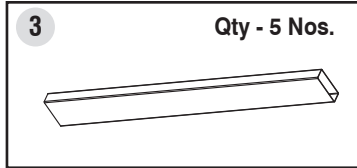
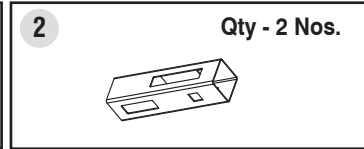
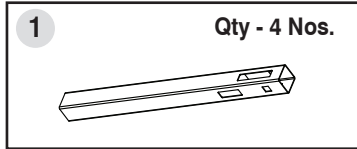
 www.duramaxbp.com

Call us for any missing or damaged parts.
 Do not return to the store.

Parts List

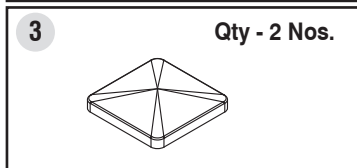
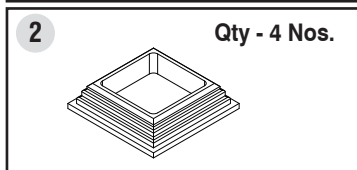
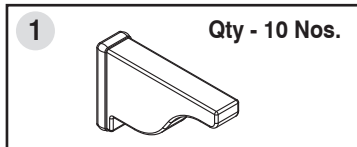
Standard Items

No.	Description	Qty
1	5"x 5" Support Posts	4
2	5"x 5" Interim Posts	2
3	2"x 6" Rafters	5
4	2"x 3.5" Batten Holders	3
5	1 3/4"x 1 3/4" Battens	-
6	2"x 3.5" End Caps	6
7	2"x 6" End Caps	10
8	5"x 5" Post Caps	6
9	10 x 20 Cad Plated Screws	12



Optional Items

No.	Description	Qty
1	2"x 6" Corbels	10
2	5"x 5" Base Trim	4
3	5"x 5" Pyramid Post Caps	2



TOOLS YOU WILL NEED

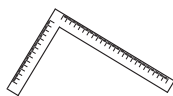
Hand Gloves



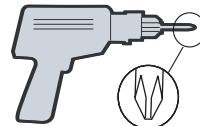
Goggles



Carpenters Square



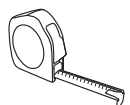
Power driver- Philips Head



12" Driver extension

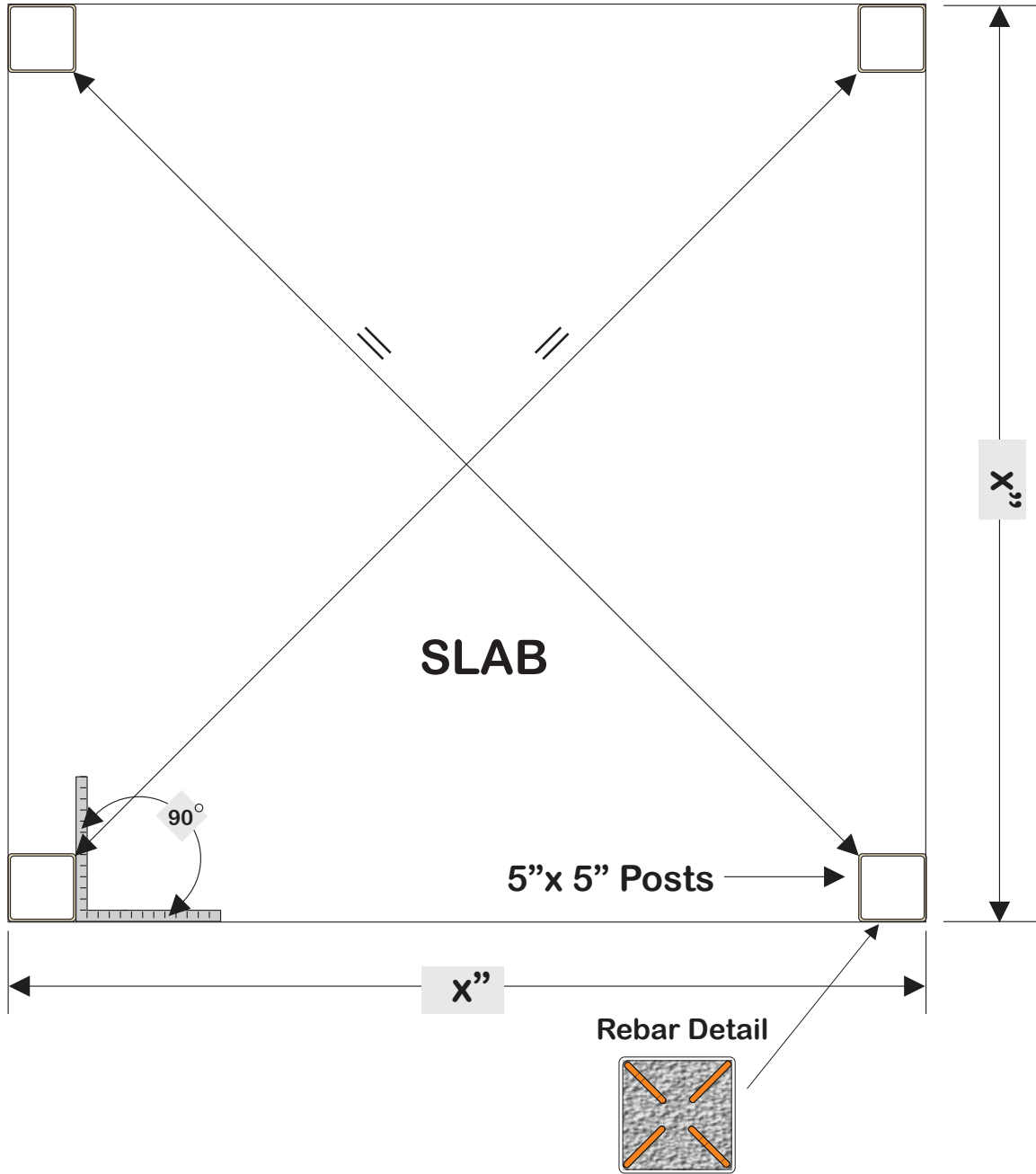


Tape measure



Post Layout

Layout post pattern as shown.
Fasten posts per instructions.

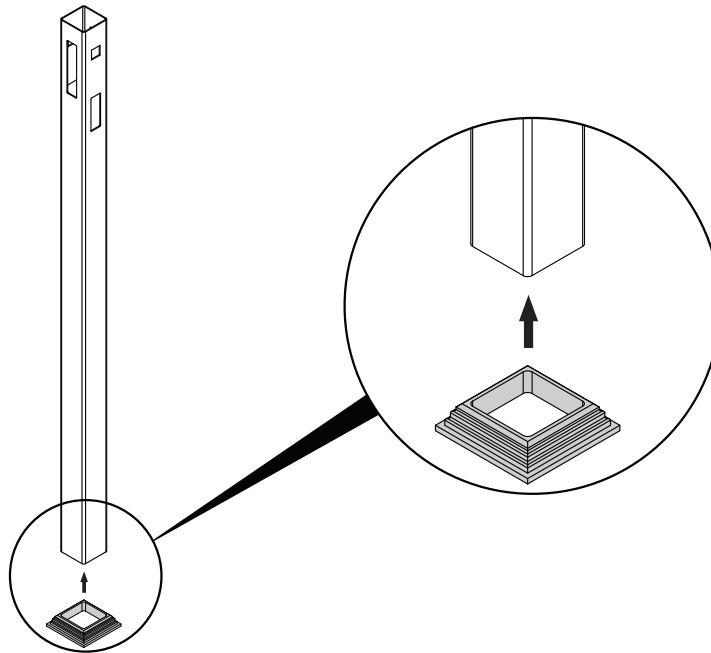
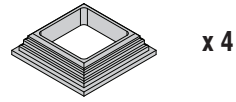
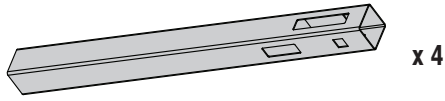


Determine the post to post dimensions for your style patio cover kit from the footprint drawing provided.
Mount the posts as shown on page 3.
Once posts are in place continue with the installation of top members.

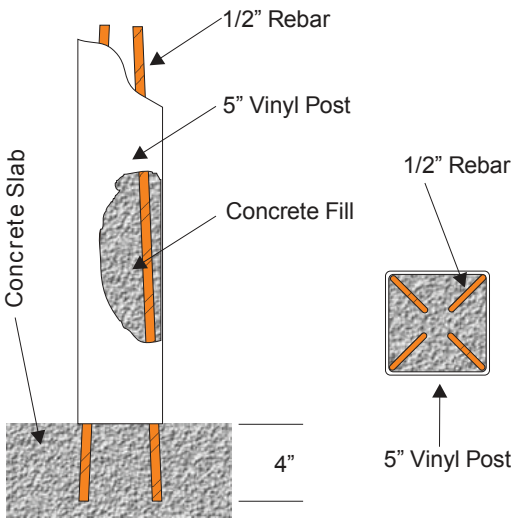
Post Trim Installation

If your kit was ordered with the base trim option, slide these trim pieces onto the post as shown before continuing to the next step.

1



Post Mounting



Mark concrete slab where rebar is to be installed.
Drill 1/2" holes approximately 4" deep into slab.

Use air to clean out holes.

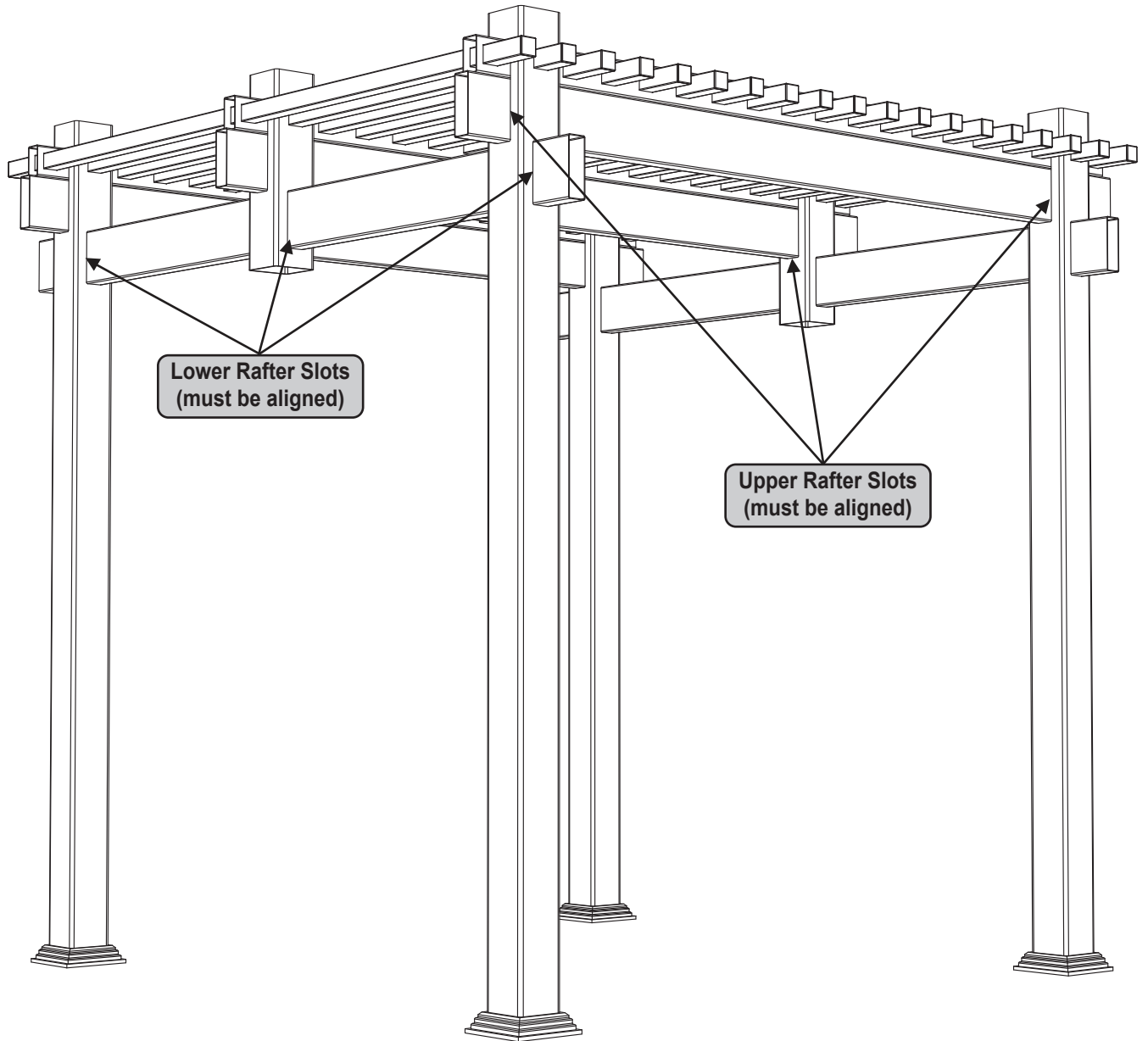
Insert & epoxy 60" long rebar into holes.
(Use SET epoxy compound by Simpson.)

Sleeve 5" vinyl posts over rebar and fill with concrete.
(Mix concrete according to job requirements. If the project will require movement of the posts mix the concrete slurry to a loose consistency so it does not set up too quickly.)

Important: When setting posts make sure that the orientation of the posts is correct. The rafter slots must be properly aligned or the assembly can not be completed. See photo of completed structure on next page to get alignment details.

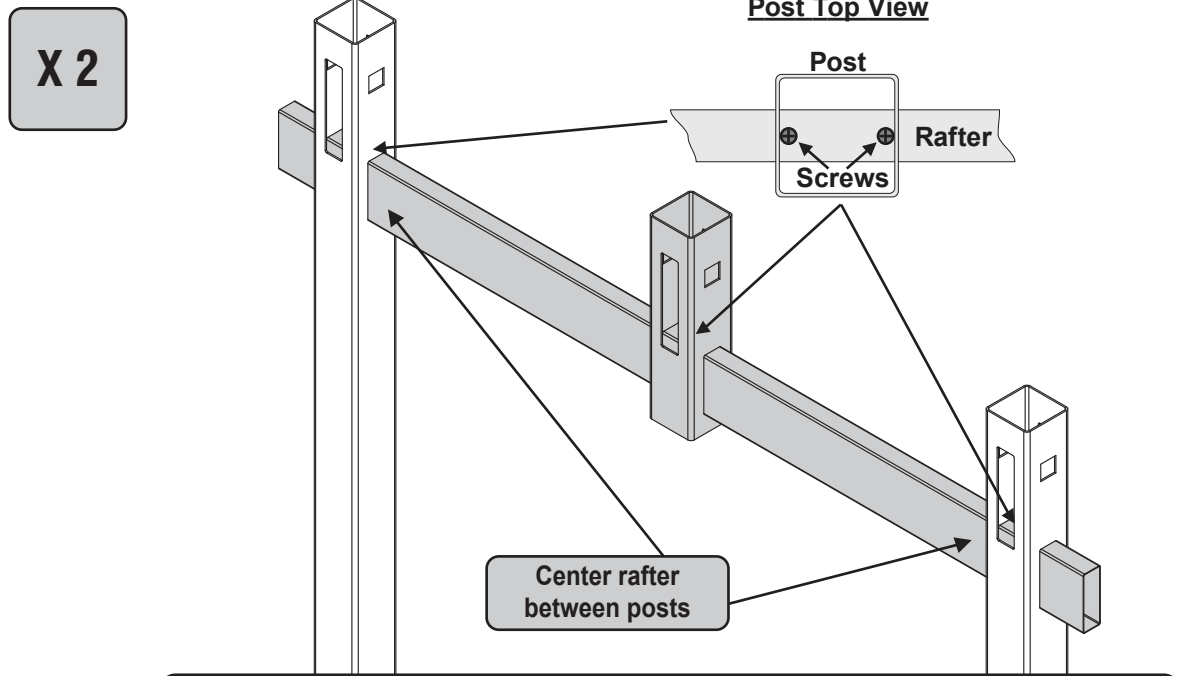
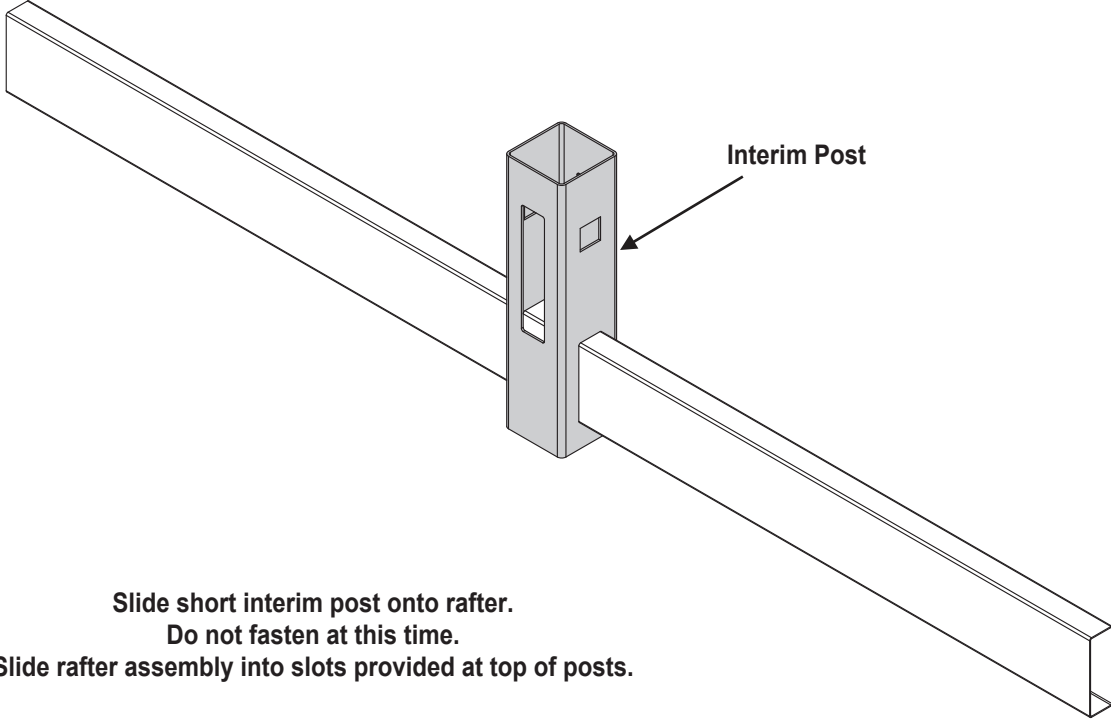
3

Patio Cover Assembly Full View



Important: When setting posts make sure that the orientation of the posts is correct. The rafter slots must be properly aligned or the assembly can not be completed. See photo above for complete alignment details.

Rafter Assembly

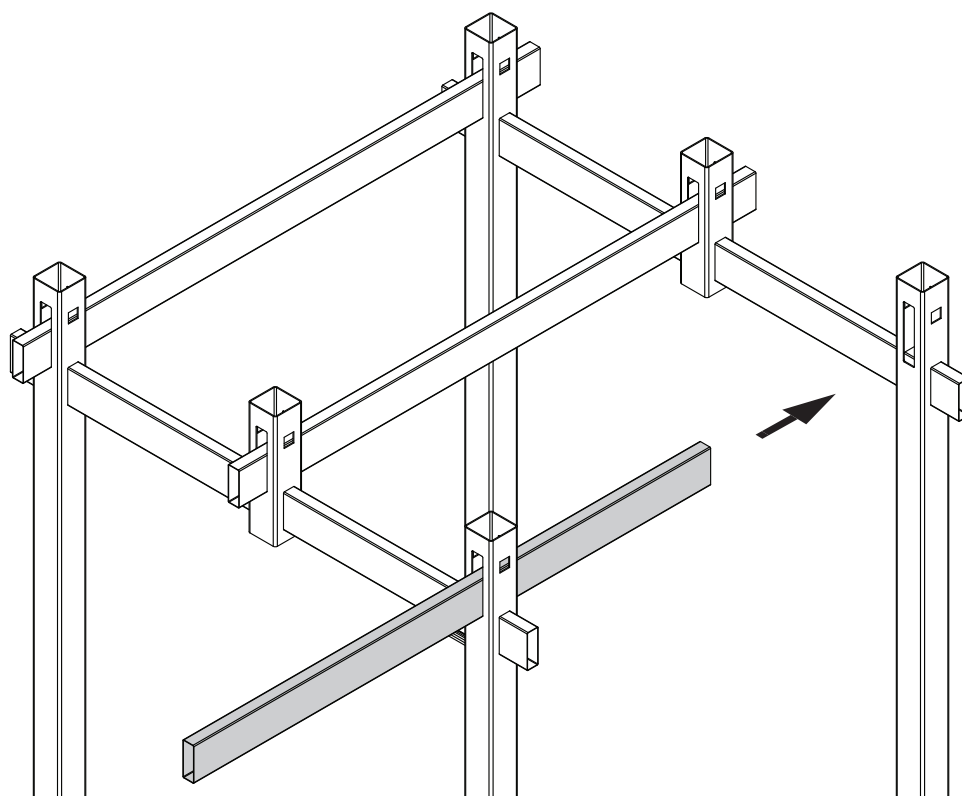
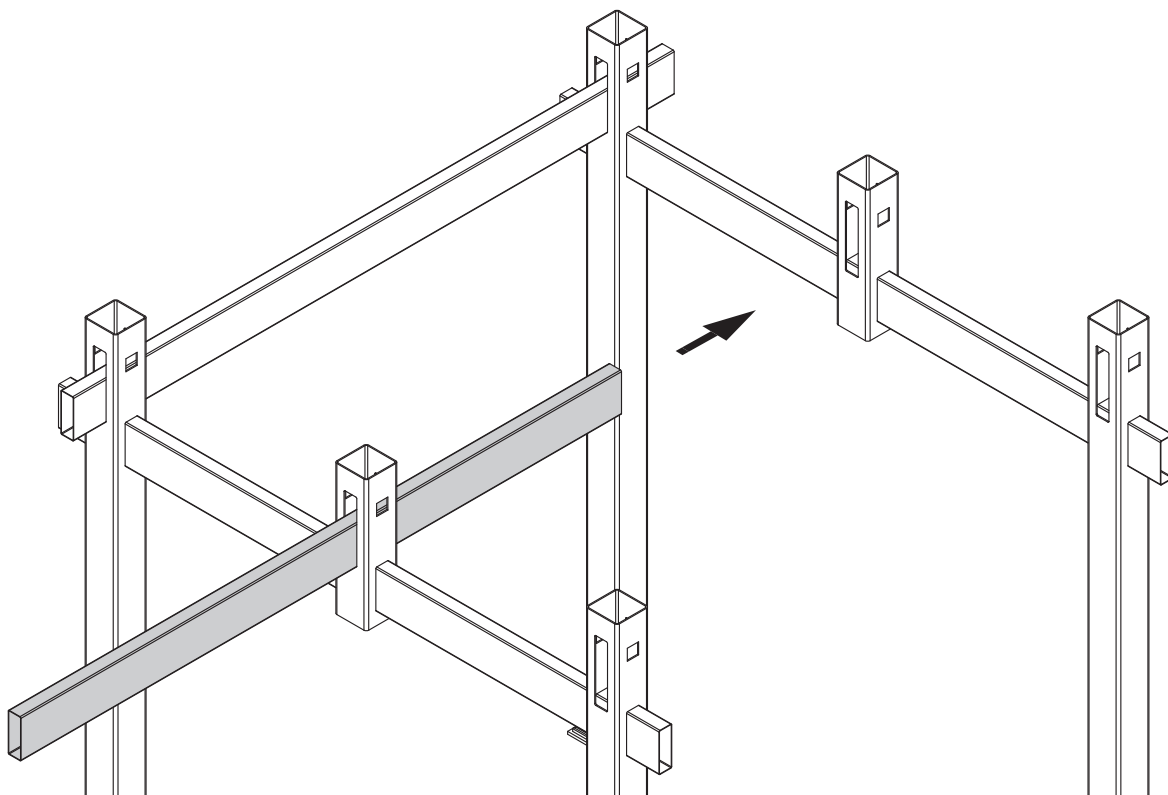
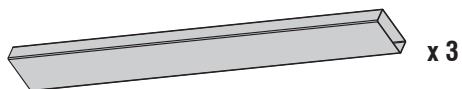


Center rafters and fasten with screw provided through the top of the post.
Center interim post on rafter between posts and fasten with screw through top of post.

Rafter Assembly Continued

slide upper rafters into place through upper holes provides as shown below.

3

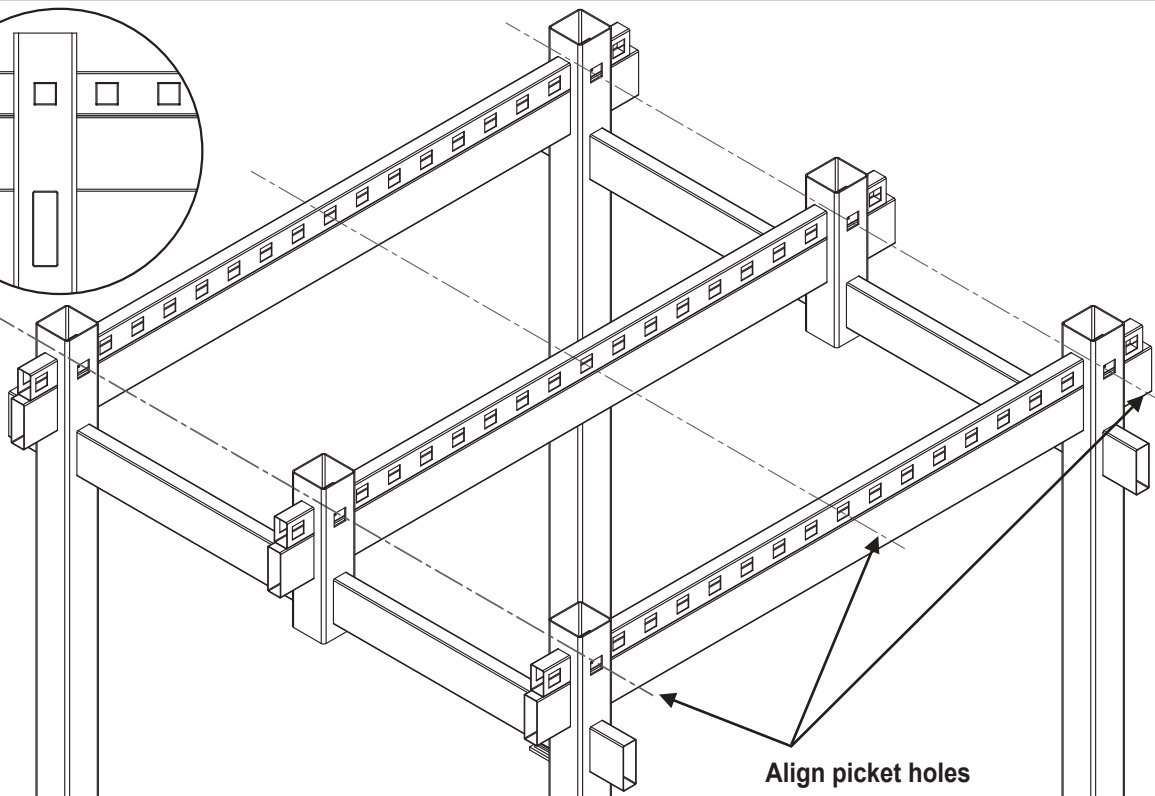
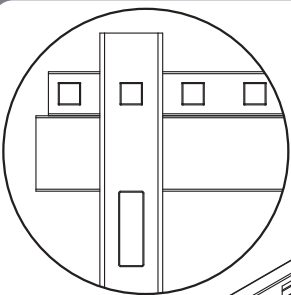
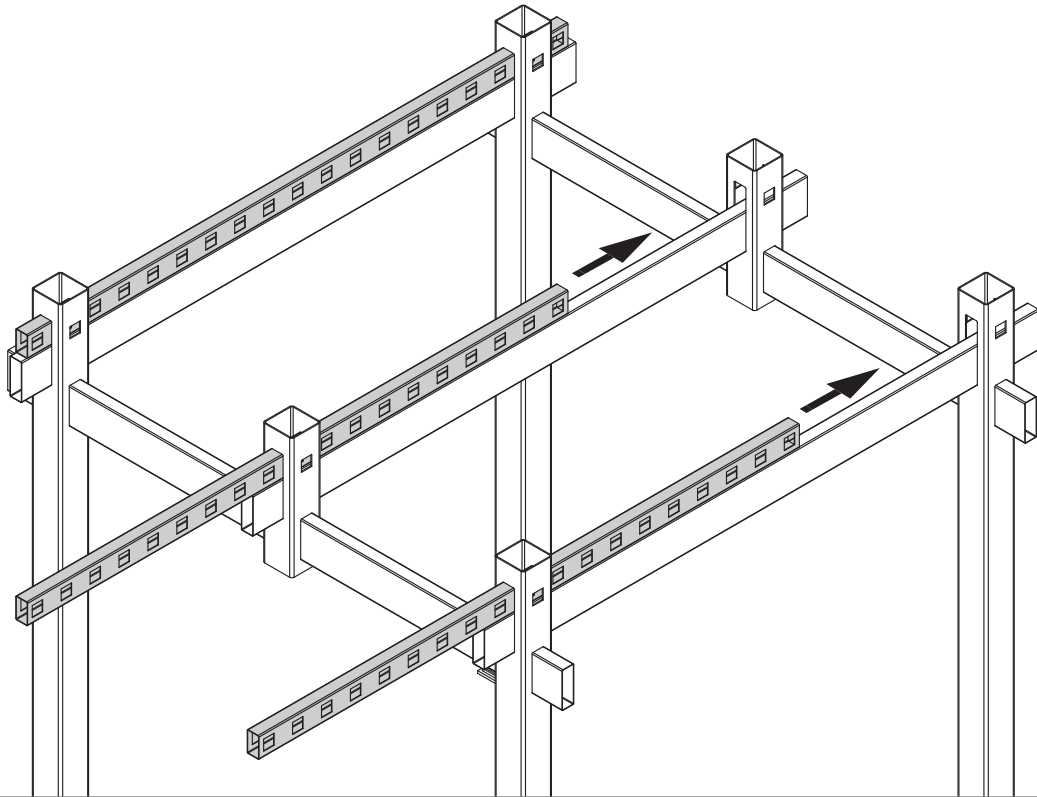
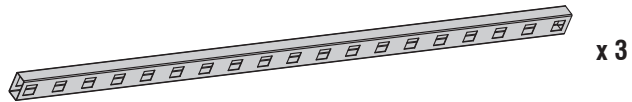


6

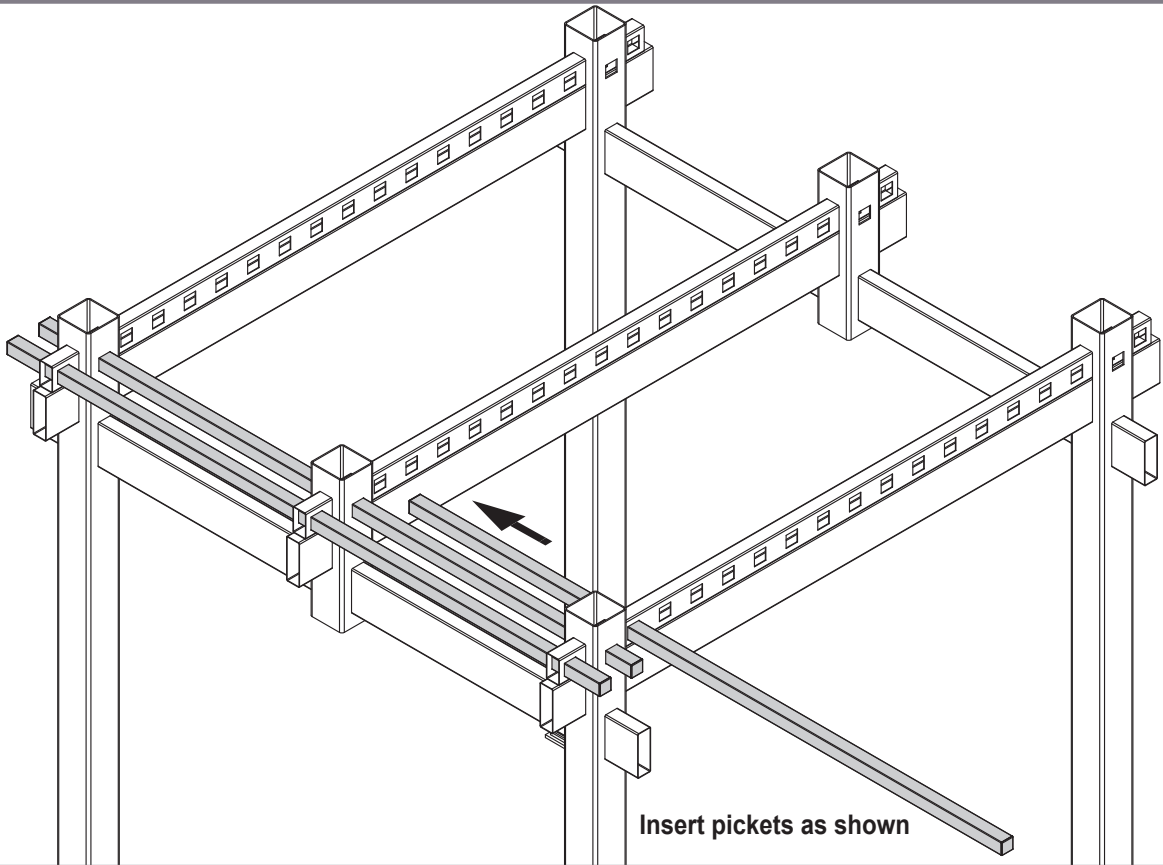
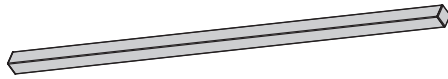
Picket Assembly

Slide picket support rafters into place through holes provides as shown below.

4



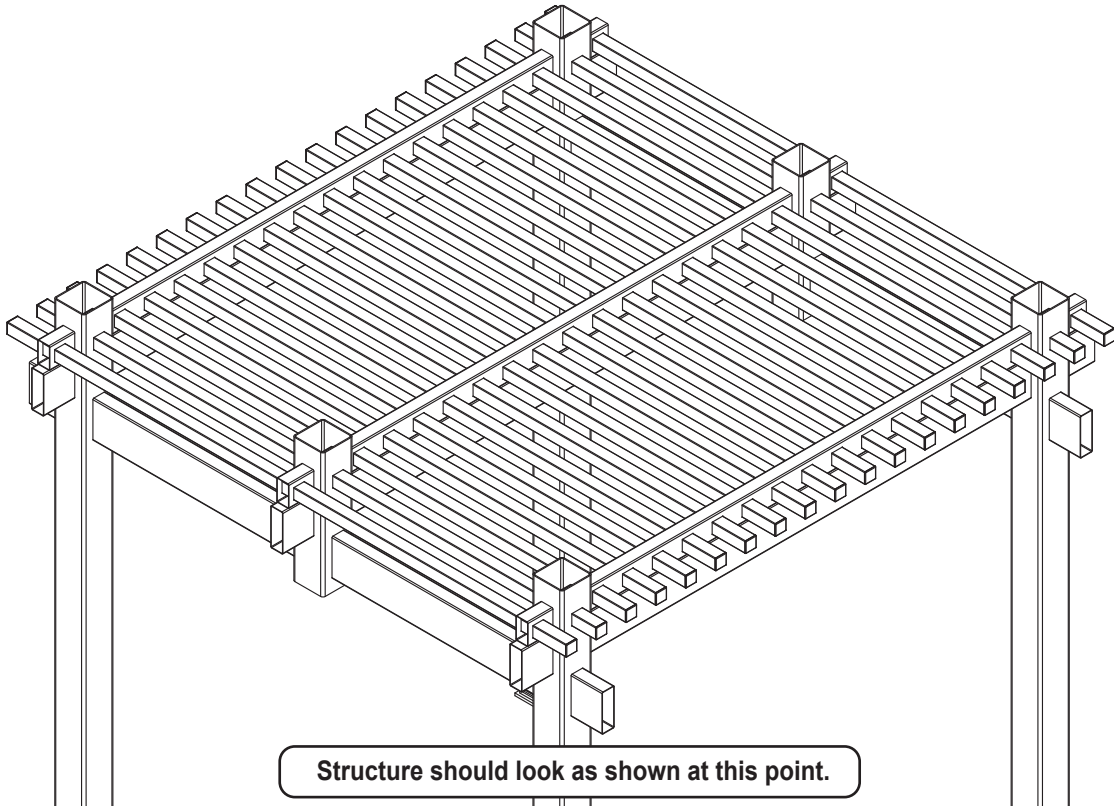
7



Insert pickets as shown



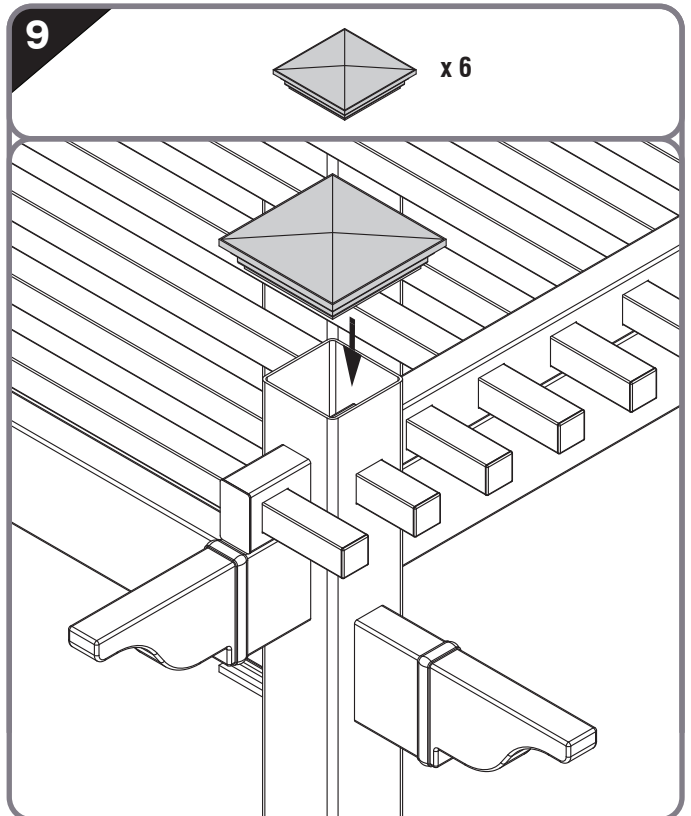
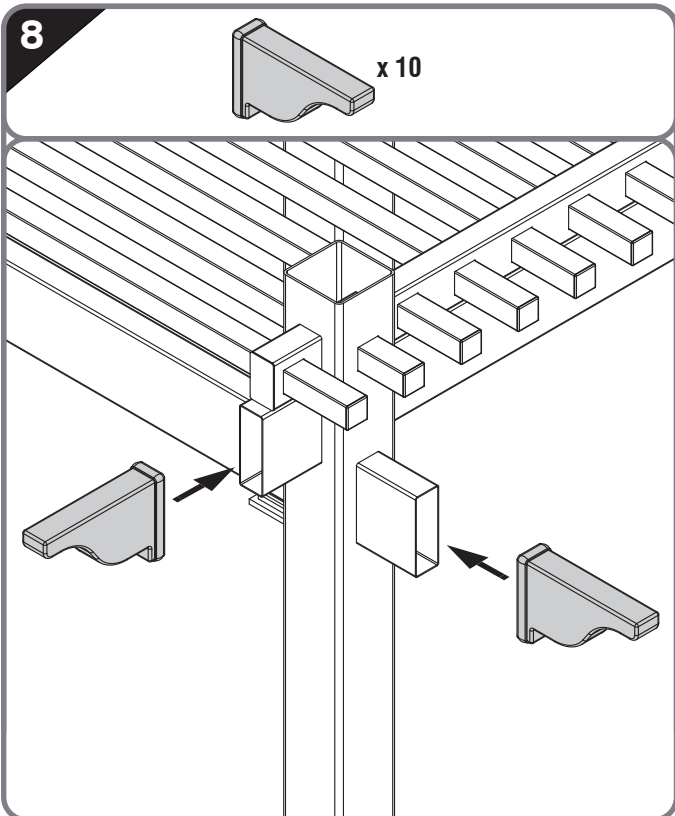
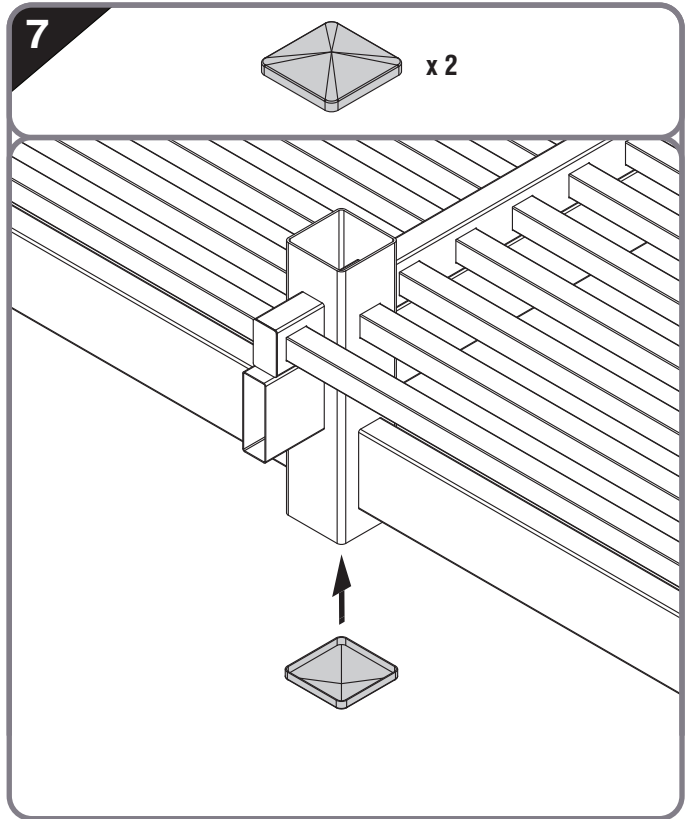
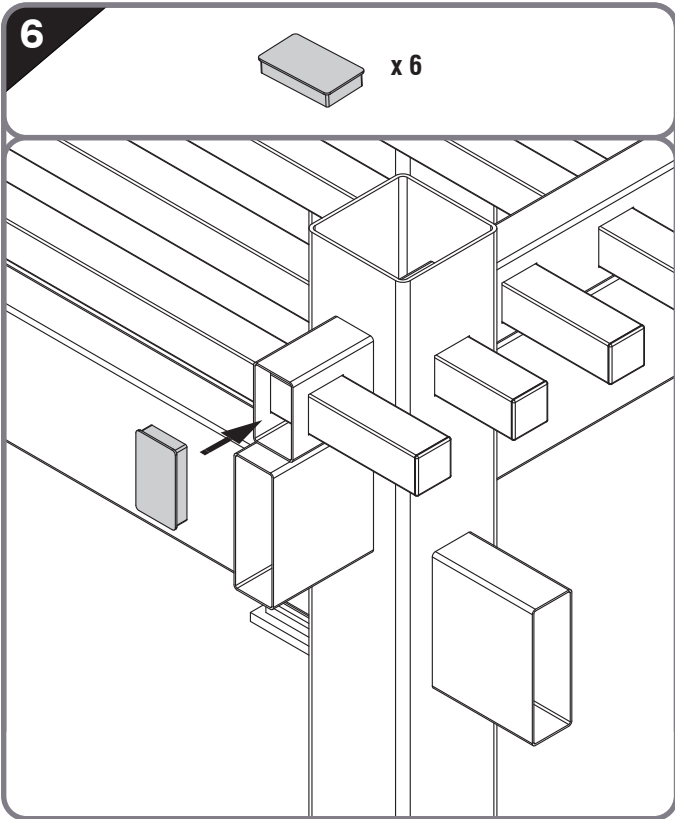
Center and align pickets as shown below.



Structure should look as shown at this point.

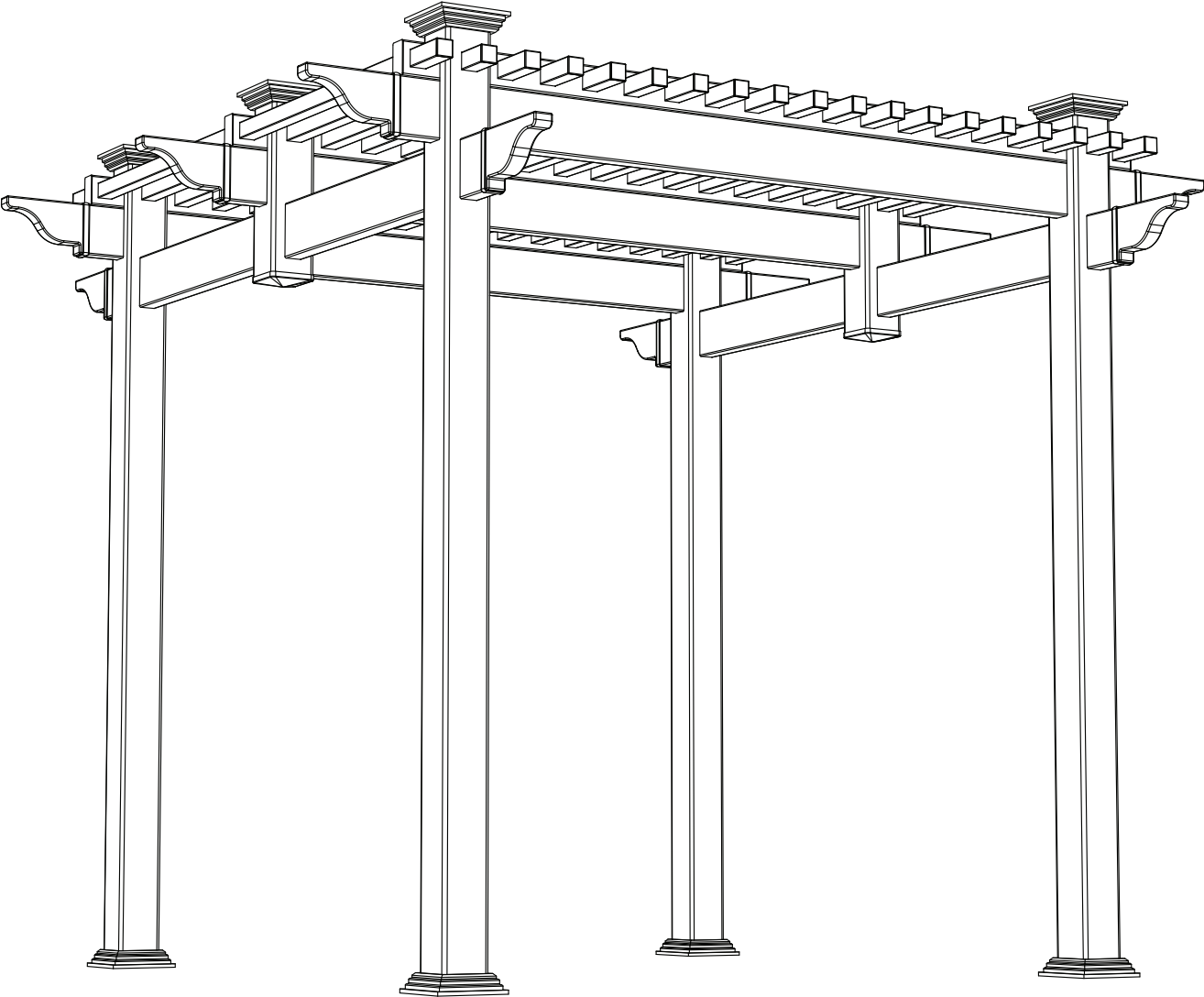
Final Trim Assembly

Glue end caps and post caps into place.
Note: The standard kits come with flat rafter end caps and pyramid post caps.
Optional corbel rafter ends and New England caps are shown.



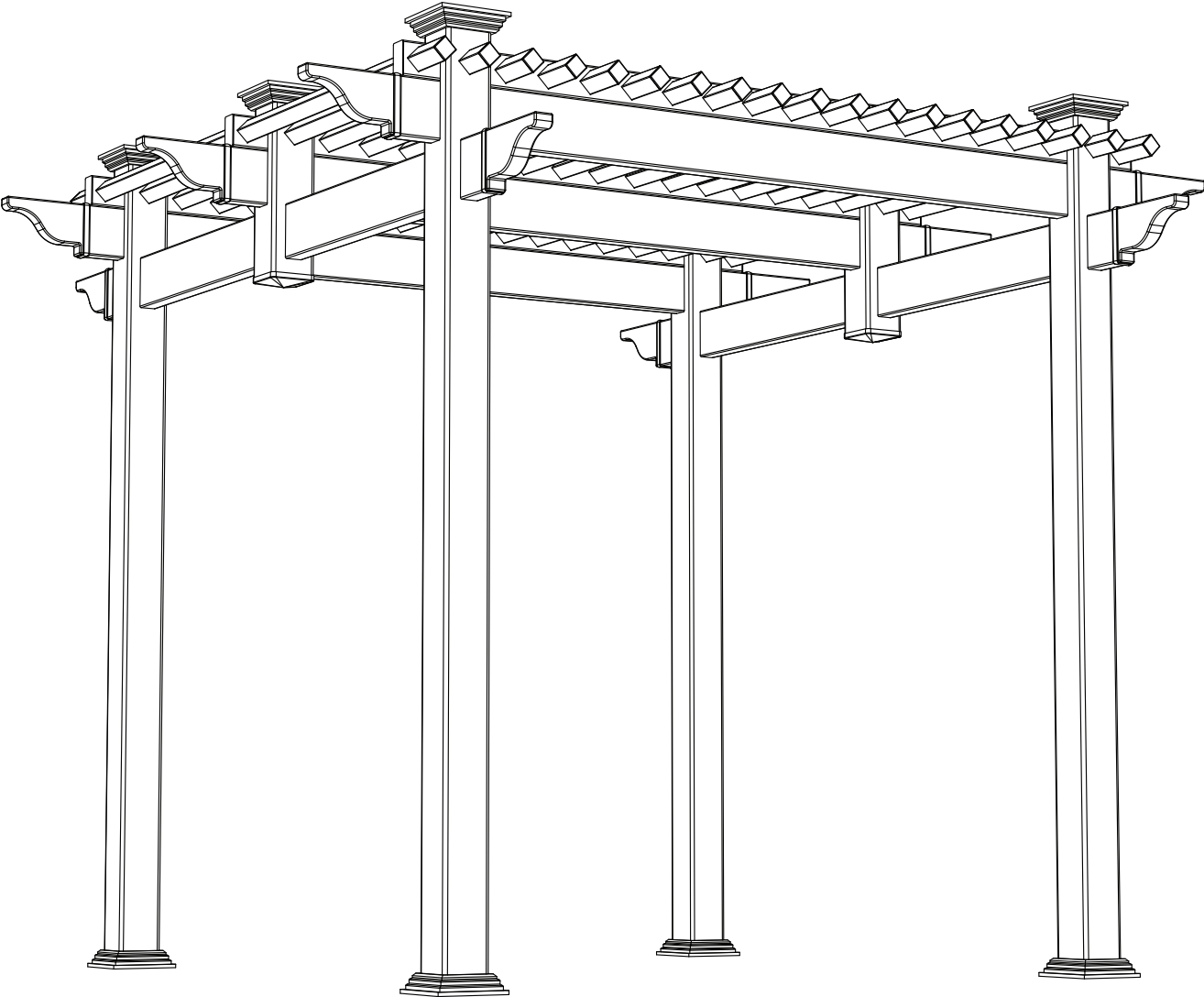
Finish your Patio Cover unit by cleaning with soft non abrasive soap and water.
If there are hard to remove spots or dirt on your unit, they may be removed with a light application of Laquer Thinner and a soft clean cloth.

Model - 1



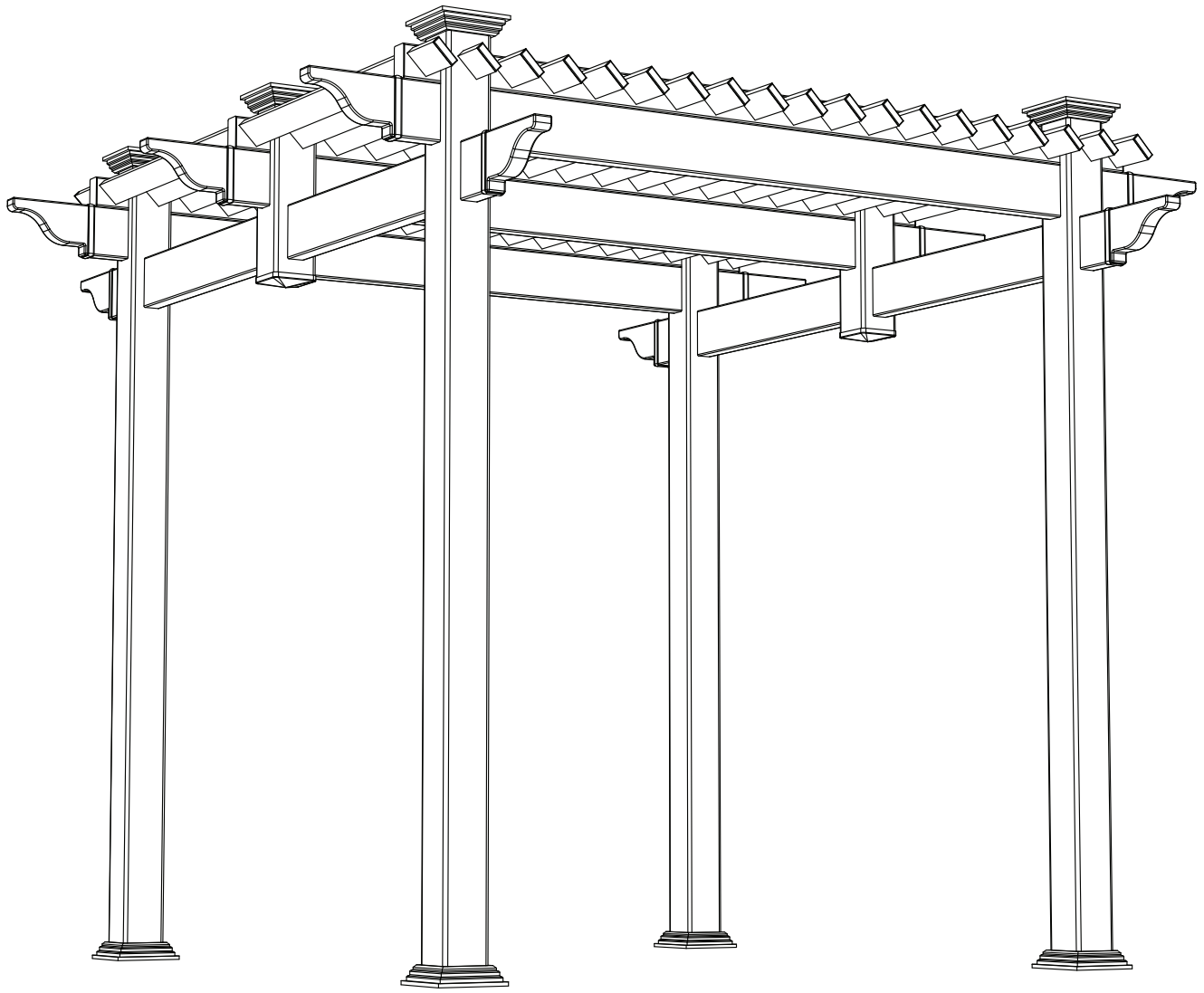
1.5" x 1.5" Pickets Square

Model - 2



1.5" x 1.5" Pickets Diamond

Model - 3



7/8" x 3" Pickets

Duramax Vinyl Fencing Limited Fifteen Year Warranty

U.S. Polymer Inc. will send a replacement part free of charge, in the event of material defects and or workmanship for a period of fifteen years from the date of purchase. In the event of a defect covered by the warranty, US Polymers shall replace the defective part, but shall not be responsible for shipping, labor, or other charges.

This warranty is extended only to the original purchaser. A purchase receipt or other proof of date of original purchase will be required before warranty service is rendered. In no event shall we pay the cost of flooring, labor, installation or any other costs related thereto.

This warranty only covers failures due to defects in material or workmanship which occurs during normal use and does not extend to color change arising due to normal weathering or to damage resulting from misuse or neglect, commercial use, failure to follow assembly instructions and the owner's manual (including proper anchoring of the fencing), painting, forces of nature and other causes which is beyond our control.

Claims under this warranty must be made within the warranty period by calling 1-800-483-4674 or mail in a dated sales slip and clear photograph of the part to:

U.S. Polymers Inc. 1057 S. Vail Ave Montebello, CA 90640, United States of America.

We reserve the right to discontinue or change components. If a component has been discontinued or is not available, U.S. Polymers, Inc. reserves the right to substitute a component of equal quality as may be compatible.

Limits and Exclusions

There are no express warranties except as listed above. The warrantor shall not be liable for incidental or consequential damages resulting from the use of this product, or arising out of any breach of this warranty. All express warranties are limited to the warranty period set forth above. Some states do not allow the exclusion or limitation on how long an implied warranty lasts, so the above limitations may not apply to you.

This warranty gives you specific legal rights and you may also have other rights which vary from state to state or country to country.



U.S. Polymers, Inc.
1057 S. Vail Ave
Montebello, CA 90640,
United States of America